

DOOR CLOSERS

Price List 2017

CAL-ROYAL
P R O D U C T S , I N C . U . S . A .



TABLE OF CONTENTS

I. 900 SERIES

Barrier Free..... DC1
 Barrier Free with Delay Action..... DC1

PARTS & ACCESSORIES

ARMS

Door Closer Arms..... DC2
 Extended Long Arms..... DC2
 Hold Open Arm with Parallel Brackets..... DC2
 Non-Handed Parallel Arms..... DC2
 Slide Track Arm with Hold Open..... DC2
 Super Rigid Parallel Arm Stoppers..... DC2
 Super Rigid Parallel Arm Stopper Hold Open..... DC2

BRACKETS

Flat Drop Brackets..... DC3
 Parallel Arm Drop Brackets..... DC3

BOLTS

Sex Bolts..... DC3
 Sex Bolts for 1 3/8" Doors..... DC3
 Thru Bolts and Grommet Nuts..... DC3

COVERS

Full Covers..... DC3
 Optional Full Metal Covers..... DC3
 Slim Covers..... DC3

II. CR441 SERIES

Barrier Free (with Back Check)..... DC4
 Barrier Free with Delay Action & Back Check..... DC4
 Barrier Free with Delay Action (No Back Check)..... DC4
 Door Closer with Electronic Hold Open Track..... DC5

PARTS & ACCESSORIES

ARMS

Door Closer Arms..... DC6
 Extended Long Arms..... DC6
 Hold Open Track Arm..... DC6
 Non-Handed Parallel Arms..... DC6
 Non-Handed Hold Open Arms..... DC6
 Super Rigid Non-Handed Parallel Arms..... DC5
 Super Rigid Parallel Arm Stoppers..... DC5
 Super Rigid Parallel Arm Stopper Hold-Open..... DC5

BRACKETS

Parallel Arm Brackets..... DC7

BOLTS

Sex Bolts..... DC7
 Sex Bolts for 1 3/8" Doors..... DC7

COVERS

Plastic Covers..... DC7
 Stainless Steel Covers..... DC7
 Steel Covers..... DC7

OTHERS

CONCR441 Kit & CR441 Door Closers..... DC6
 CR441 Tandem Connector Sleeve Nuts..... DC6
 Variable-Sized Hexagonal Wrench..... DC7
 Blade Stop Spacer..... DC7
 Cush Shoe Support..... DC7

III. CR801 / CR801S SERIES

Barrier Free (Full Cover)..... DC8
 Barrier Free (Slim Cover)..... DC8
 Barrier Free with Delay Action (Full Cover)..... DC8
 Barrier Free with Delay Action (Slim Cover)..... DC8

PARTS & ACCESSORIES

ARMS

Door Closer Arms..... DC9
 Extended Long Arms..... DC9
 Hold Open Arm with Parallel Brackets..... DC9
 Non-Handed Parallel Arms..... DC9
 Slide Track Arms with Hold Open..... DC9
 Super Rigid Non-Handed Parallel Arms..... DC9
 Super Rigid Parallel Arm Stopper Hold Open..... DC8
 Super Rigid Parallel Arm Stoppers..... DC8

BRACKETS

Parallel Arm Brackets..... DC9
 Parallel Arm Drop Brackets..... DC9

BOLTS

Sex Bolts..... DC9
 Sex Bolts for 1 3/8" Doors..... DC9
 Thru Bolts & Grommet Nuts..... DC9

COVERS

Full Covers..... DC9
 Slim Covers..... DC9

DROP PLATES

Full Flat Drop Brackets..... DC9
 Slim Flat Drop Brackets..... DC9
 Wide Flat Drop Brackets..... DC9

IV. 300 SERIES

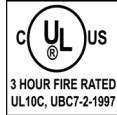
Adjustable size 1-4, Barrier Free with Delayed Action..... DC10
 Adjustable size 1-4, Barrier Free..... DC10
 Adjustable size 3-6..... DC10

TABLE OF CONTENTS

| | |
|--|---|
| <p>PARTS & ACCESSORIES</p> <p>ARMS</p> <p>Hold Open Arm & Parallel Brackets..... DC10</p> <p>Slide Track Arm with Hold Open..... DC10</p> <p>BRACKETS</p> <p>Parallel Arm Brackets..... DC10</p> <p>Parallel Arm Drop Brackets..... DC10</p> <p>BOLTS</p> <p>Sex Bolts..... DC10</p> <p>Sex Bolts for 1 3/8" Doors..... DC10</p> <p>COVERS</p> <p>Plastic Full Covers..... DC10</p> <p>DROP PLATES</p> <p>Flat Drop Brackets..... DC10</p> <p>V. 500 SERIES</p> <p>Adjustable Size 1-5 with Back Check..... DC11</p> <p>PARTS & ACCESSORIES</p> <p>ARMS</p> <p>Hold Open Arm & Parallel Brackets..... DC11</p> <p>BRACKETS</p> <p>Parallel Arm Brackets..... DC11</p> <p>Parallel Arm Drop Brackets..... DC11</p> <p>BOLTS</p> <p>Sex Bolts..... DC11</p> <p>Sex Bolts for 1 3/8" Doors..... DC11</p> <p>Thru Bolts and Grommet Nuts..... DC11</p> <p>COVERS</p> <p>Full Stainless Steel Covers..... DC11</p> <p>Slim Plastic Full Covers..... DC11</p> <p>DROP PLATES</p> <p>Flat Drop Brackets..... DC11</p> <p>VI. 700 SERIES</p> <p>Regular / Parallel Arm Size 2..... DC12</p> <p>Regular / Parallel Arm Size 3..... DC12</p> <p>Regular / Parallel Arm Size 3 / BC..... DC12</p> <p>Regular / Parallel Arm Size 4..... DC12</p> <p>Regular / Parallel Arm Size 4 / BC..... DC12</p> <p>Regular / Parallel Arm Size 5..... DC12</p> <p>Regular / Parallel Arm Size 5 / BC..... DC12</p> | <p>PARTS & ACCESSORIES</p> <p>ARMS</p> <p>Door Closer Arms..... DC13</p> <p>Hold Open Arm with Parallel Brackets..... DC13</p> <p>BRACKETS</p> <p>Parallel Arm Brackets..... DC13</p> <p>BOLTS</p> <p>Sex Bolts..... DC13</p> <p>Sex Bolts for 1 3/8" Doors..... DC13</p> <p>Thru Bolts & Grommet Nuts..... DC13</p> <p>COVERS</p> <p>Slim Plastic Covers..... DC13</p> <p>DROP PLATES</p> <p>Flat Drop Brackets..... DC13</p> <p>VII. 400 SERIES</p> <p>Regular Arm / Parallel Arm Size 2..... DC14</p> <p>Regular Arm / Parallel Arm Size 3 w/ Back Check.... DC14</p> <p>Regular Arm / Parallel Arm Size 3..... DC14</p> <p>Regular Arm / Parallel Arm Size 4..... DC14</p> <p>Regular Arm / Smaller Body Size 3..... DC14</p> <p>PARTS & ACCESSORIES</p> <p>ARMS</p> <p>Hold Open Arm with Parallel Brackets..... DC15</p> <p>BRACKETS</p> <p>Parallel Arm Brackets..... DC15</p> <p>BOLTS</p> <p>Sex Bolts..... DC15</p> <p>Sex Bolts for 1 3/8" Doors..... DC15</p> <p>Thru Bolts & Grommet Nuts..... DC15</p> <p>COVERS</p> <p>Plastic Full Covers..... DC15</p> <p>DROP PLATES</p> <p>Flat Drop Brackets..... DC15</p> <p>VIII. DFG888 CONCEALED GLASS FLOOR DOOR CLOSER</p> <p>Floor Closer & Top Patch..... DC16</p> <p>Optional Pivots..... DC16</p> |
|--|---|

900 Series *List Price*

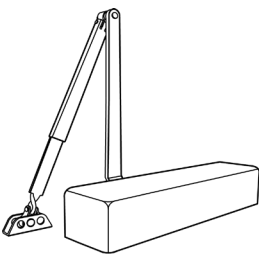
ANSI 156.4, **GRADE 1** ADA / Barrier Free Adjustable Door Closer With Full Cover



MEETS
The Buy American Act

LIFETIME
WARRANTY

(900 Series Only, Specify Made in Korea when ordering)

| ILLUSTRATION | ITEM # | DESCRIPTION | 1 CASE | PCS / MC | UNIT |
|---|--|--|--------------------|----------|------|
|  | N900PBF | Barrier Free, (Interior & Exterior) Adjustable size 1-6, door weights 30-260 lbs (Full Cover) | ALUM / DURO / GOLD | 6 | Ea. |
| | | | \$183.41 | | |
| | BLACK | 265.30 | | | |
| | | | | | |
| N900PBFDA | Barrier Free, Adjustable size 1-6, door weights 30-260 lbs with Delay Action (Interior & Exterior) (Full Cover) | ALUM / DURO / GOLD | 246.30 | | |
| | | BLACK | 283.00 | | |
| | | | | | |

Specify "MADE IN KOREA" when ordering "THE BUY AMERICAN ACT" compliant models

STAINLESS STEEL / PLATED AND PAINTED FINISHES

| | | |
|--|--|-----------------------------|
| PLATED FINISHES | US3, US26, US26D, US10B, US5, US4, US15, US10 In stock (Includes: Metal cover, full arm, screws and parallel bracket.) | Add 155.90 List Each |
| STAINLESS COVER NEW ITEM | Stainless Steel narrow cover with matching Satin Nickel Arm & Accessories. Suffix 32D / 15 after PART# | Add 93.60 List Each |
| STAINLESS STEEL COVER, ARM & PA BRACKET NEW ITEM | Stainless Steel narrow cover with matching Stainless Steel Arm & PA Bracket. Suffix 32D / 32D after PART# | Add 128.60 List Each |
| PAINTED | Special colors (Allow 6-8 weeks delivery) | Add 103.90 List Each |

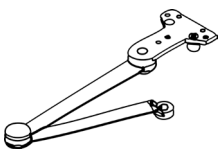
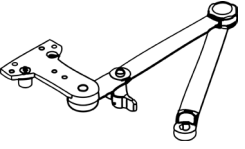
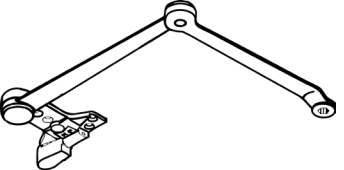
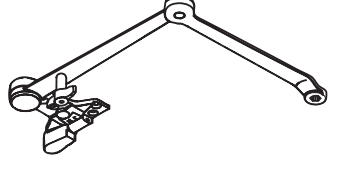
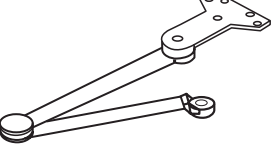
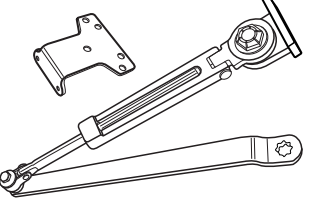

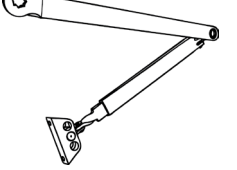

► PACKAGING INCLUDES

- Parallel bracket
- Wood screws and **self-tapping machine screws**
- Full cover
- Sex bolts

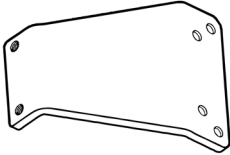
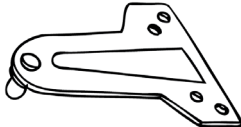
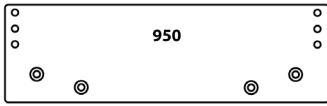
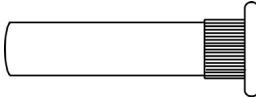

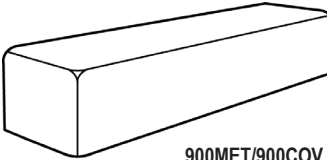
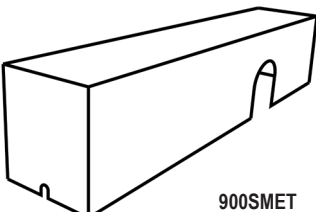
► STOCK FINISHES

- Aluminum
- Duranodic
- Gold
- Black (L1)
- US3, US26, US26D, US10B, US5, US4, US15, US10
- US32D / US15 – Cover Only with matching US15 arm
- US32D / US32D – Cover, Arm & PA Bracket

► **PARTS & ACCESSORIES FOR 900 SERIES**

| ILLUSTRATION | ITEM # | DESCRIPTION | LIST PRICE | UNIT |
|---|---|--|------------|------|
|  | SPAS900 | Super rigid parallel arm stopper, non-handed with stop in soffit shoe. (Equivalent to LCN CUSH-N-STOP ARM) | \$89.96 | Ea. |
| | SPAS900 PLATED FINISH | Super rigid parallel arm stopper, non-handed US3, US26 | 207.57 | |
|  | HOSRPS / 900 | Super rigid parallel arm stopper hold-open, non-handed with stop in soffit shoe. Handle controls hold-open function. (Equivalent to LCN H-CUSH ARM) | 102.80 | |
| | HOSRPS / 900 PLATED FINISH | Super rigid parallel arm stopper hold-open, non-handed US3, US26 | 240.42 | |
|  | 900SPRING | Super rigid non-handed parallel arm with spring loaded stop in the soffit shoe. (Equivalent to LCN SPRING CUSH ARM) | 123.35 | |
|  | 900HOSPRING | Super rigid parallel arm stopper hold-open, non-handed with spring loaded stop in soffit shoe. Handle controls hold-open function. (Equivalent to LCN SPRING H-CUSH ARM) | 143.85 | |
|  | CR900HDAR NEW ITEM | Non-handed parallel arm features forged, solid steel main and forearm for potentially abusive installations. Equivalent to LCN 3077 EDA | 109.00 | |
|  | 901 / 902 | Hold-open arm with parallel bracket, non-handed with stop in soffit shoe. | 72.03 | |
| | 901 / 902 L1 (BLACK) NEW ITEM | Hold-open arm with parallel bracket, non-handed with stop in soffit shoe. | 92.91 | |
| | 901 / 902 PLATED FINISH | Hold-open arm with parallel bracket US3, US26 | 184.59 | |
|  | TRACK / 900 | Slide track arm with hold open | 115.33 | |
| | TRACK / 900 PLATED FINISH | Slide track arm with hold open US3, US26 | 230.65 | |
|  | 945AR | Door closer arm (Main and regular forearm) | 28.86 | |
|  | 900EXT | Extended long arm (3" extension) for top jamb with deep reveals | 57.72 | |

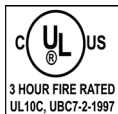
► PARTS & ACCESSORIES FOR 900 SERIES

| ILLUSTRATION | ITEM # | DESCRIPTION | LIST PRICE | UNIT |
|---|--------------------------------|--|------------|------|
|  | 904 | Parallel arm drop bracket for non-hold open parallel arm applications to clear a surface-applied stop / holder | \$31.19 | |
|  | 905 | Parallel arm bracket | 9.32 | |
|  | 950 | Flat drop bracket | 34.63 | |
| | 950 PLATED FINISH | Flat drop bracket US3, US26 | 109.56 | |
|  | 970 | Sex bolts, female part only 1/4" – 20 (set of 4) | 8.21 | Ea. |
| | 970138 | Sex bolts for 1 3/8" doors, female part only 1/4" – 20 (set of 4) | | |
|  | 706 | Thru bolts and grommet nuts (set of 4) | 5.22 | |
|  | 900COV | Full Cover only | 23.09 | |
| | 900COV PLATED FINISH | Full Cover only US3, US26 | 144.19 | |
|  | 900SMET | US32D Stainless Steel (Slim Cover) | 103.90 | |
| | 900MET | Optional full metal cover, stock finish (Alum) | 32.64 | |
| | 900MET PLATED FINISH | Full Metal Cover only US3 | 155.90 | |

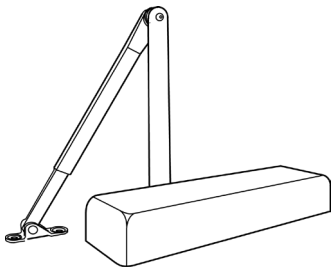
Parts and Accessories are available in other painted colors and plated finishes subject to minimum quantity and lead time.

CR441 Series *List Price*

ANSI A.156.4, **GRADE 1** ADA / Barrier Free Adjustable Door Closer With Full Cover



(LIFETIME WARRANTY ON DOOR CLOSER BODY ONLY)

| ILLUSTRATION | ITEM # | DESCRIPTION | 1 CASE | PCS / MC | UNIT |
|--|------------------------------|---|--------------------|----------|------|
|  | CR441 | Barrier free, Adjustable size 1-6 door weights 30-260 lbs (Full Cover) with Back Check | ALUM / DURO / GOLD | 4 | Ea. |
| | | | \$300.55 | | |
| | | | BLACK | | |
| | CR441DA | Barrier free, Adjustable size 1-6 door weights 30-260 lbs with Delay Action (Full Cover) No Back Check | ALUM / DURO / GOLD | | |
| | | | 355.30 | | |
| | | | BLACK | | |
| | CR441DABC NEW ITEM | Barrier free, Adjustable size 1-6 door weights 30-260 lbs (Full Cover) with Delay Action & Back Check | ALUM / DURO / GOLD | | |
| | | | 363.70 | | |
| | | | BLACK | | |
| | | | 428.30 | | |

PLATED AND PAINTED FINISHES

| | | |
|-----------------------|--|-----------------------------|
| PLATED FINISHES | US3, US26, US26D, US10B, US5, US4, US15, US10 In stock (Includes: Metal cover, full arm, screws and parallel bracket.) | Add 155.90 List Each |
| STAINLESS STEEL COVER | Full Stainless Steel Cover. Suffix 32D / 15 after PART# | Add 165.90 List Each |
| PAINTED | Special colors (Allow 6-8 weeks delivery) | Add 103.90 List Each |

► PACKAGING INCLUDES

- Parallel bracket
- Wood screws and **self-tapping machine screws**
- Full cover
- Sex bolts

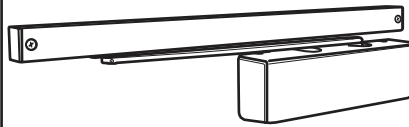
► STOCK FINISHES

- Aluminum
- Duranodic
- Gold
- Black (L1) **NEW ITEM**
- US3, US26, US26D, US10B
- US32D – Cover Only

CR441EHO Series *List Price*

ANSI A.156.4, GRADE 1, CR441 SERIES DOOR CLOSER WITH ELECTRONIC HOLD-OPEN

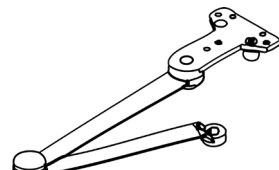
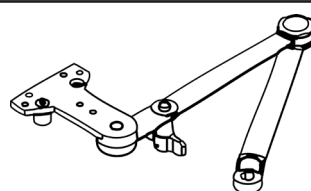
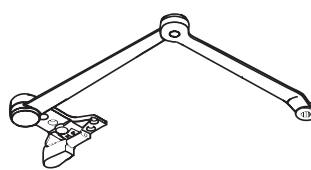
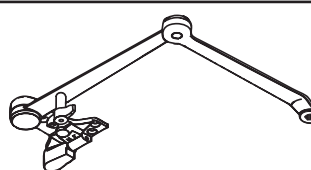


| ILLUSTRATION | ITEM # | DESCRIPTION | 1 CASE | PCS / MC | UNIT |
|---|-----------------------------|--|--------------------|----------|------|
|  | CR441EHO NEW ITEM | Adjustable 1-6 Door Body with Electronic Hold-Open Track | ALUM / DURO / GOLD | 4 | Each |
| | | | \$872.20 | | |

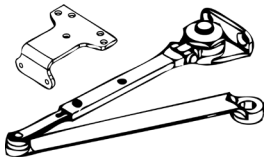
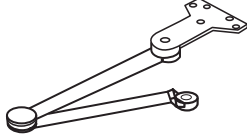

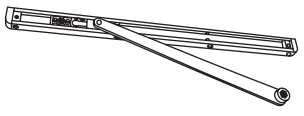
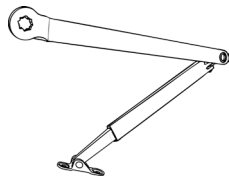
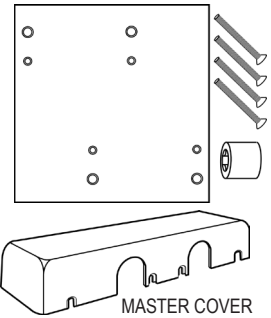
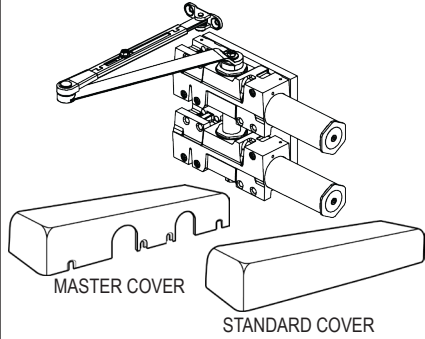
► **PACKAGING INCLUDES**

- Wood screws and **self-tapping machine screws**
- Full cover
- Sex bolts



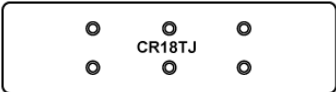
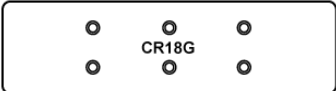
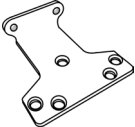
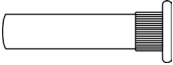
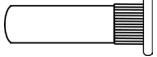




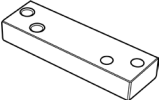
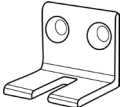
► **PARTS & ACCESSORIES FOR CR441 SERIES**

| ILLUSTRATION | ITEM # | DESCRIPTION | LIST PRICE | UNIT |
|---|--------------|---|------------|------|
|  | CR3077SPAS | Super rigid parallel arm stopper, non-handed with stop in soffit shoe. Equivalent to LCN CUSH-N-STOP (CUSH) ARM | \$93.50 | Ea. |
|  | CR3049HOSRPS | Super rigid parallel arm stopper hold-open, non-handed with stop in soffit shoe. Handle controls hold open function. Equivalent to LCN HOLD-OPEN (H-CUSH) ARM | 103.90 | |
|  | CR3077SPRING | Super rigid non-handed parallel arm with spring loaded stop in the soffit shoe. Equivalent to LCN SPRING CUSH ARM | 278.80 | |
|  | 3049HOSPRING | Super rigid parallel arm stopper hold-open, non-handed with spring loaded stop in soffit shoe. Handle controls hold-open function. Equivalent to LCN SPRING H-CUSH ARM | 301.60 | |

► PARTS & ACCESSORIES FOR CR441 SERIES

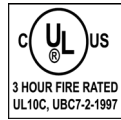
| ILLUSTRATION | ITEM # | DESCRIPTION | LIST PRICE | UNIT |
|---|--|--|------------|------|
|  | CR3049HO | Non-handed hold-open arm with parallel bracket. Equivalent to LCN 3049 | \$135.60 | Ea. |
| | CR3049HO L1 (BLACK) NEW ITEM | | 165.61 | |
|  | CR3077HDAR | Non-handed parallel arm features forged, solid steel main and forearm for potentially abusive installations. Equivalent to LCN 3077 EDA | 98.20 | |
|  | CR441EXT | Extended long arm (3" extension) for top jamb with reveals. | 57.72 | |
|  | TRACK441 | Hold open track arm for CR441 Door Closer | 154.73 | |
|  | CR441ARM | Door closer arm (Main and regular forearm) | 77.03 | |
| OTHER ACCESSORIES | | | | |
|  <p>MASTER COVER</p> | CONCR441KIT NEW ITEM | CR441 tandem connector sleeve nut, mounting plate and master cover | \$133.98 | Ea. |
|  <p>MASTER COVER STANDARD COVER</p> | CR441 / TNDM NEW ITEM | 1 each CONCR441 KIT 2 each of CR441 door closers | 888.88 | |

► PARTS & ACCESSORIES FOR CR441 SERIES

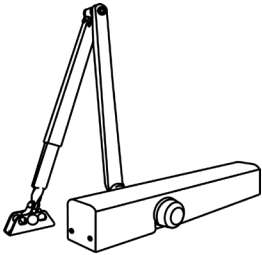
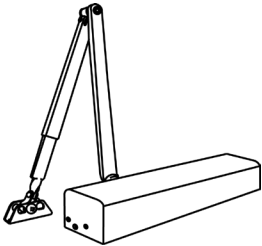
| ILLUSTRATION | ITEM # | DESCRIPTION | LIST PRICE | UNIT |
|--|------------------------------------|--|------------|------|
| OTHER ACCESSORIES | | | | |
|  | CR18PA | Drop plate for parallel arm mounting top rail is less than 5 1/2" measured from stop. Plate requires 2" minimum top rail. | \$59.72 | Ea. |
|  | CR18 | Drop plate used where top rail is less than 3 3/4" | | |
|  | CR18TJ | Drop plate for top jamb where face is less than 3 1/2" | | |
|  | CR18G | Drop plate for top jamb mounted closer flush with top of head frame face in flush ceiling condition. Plate requires 1 3/4" minimum head frame. | | |
|  | CR441PA | Parallel Arm Bracket | 10.88 | |
|  | 970 | Sex bolts, female part only 1/4" - 20 (set of 4) | 8.21 | |
|  | 970138 | Sex bolts for 1 3/8" doors, female part only 1/4" - 20 (set of 4) | | |
|  <p>PLASTIC</p>  <p>STAINLESS STEEL</p>  <p>STEEL</p> | CR441COV | Plastic Cover Only | 23.09 | |
| | CR441COV PLATED FINISH | Plastic Cover only US3 | 115.33 | |
| | CR441COV US32D | Stainless Steel Cover Only | 154.73 | |
| | CR441COVMET28 | Steel Cover (Aluminum Only) | 32.63 | |
|  | CRWRENCH | Variable-sized hexagonal wrench for CR3049HO Arm | 20.54 | |
|  | BLASS-30 NEW ITEM | Blade Stop Spacer Lower parallel arm shoe to clear 1/2" (13 mm) blade stop | 46.62 | |
|  | CUSSS-61 NEW ITEM | CUSH Shoe Support Provide anchorage for fifth screw used with CUSH arms where reveal is less than 3-1/16" (78 mm) | 32.19 | |

CR801 / CR801S Series *List Price*

ANSI 156.4, **GRADE 1** ADA / Barrier Free Adjustable Door Closer With Full Cover



SAME HOLE PATTERN AS NORTON 8301/8501

| ILLUSTRATION | ITEM # | DESCRIPTION | 1 CASE | PCS / MC | UNIT |
|--|----------|--|----------|----------|------|
|  | CR801S | Barrier free, Adjustable size 1-6 (Exterior / Interior) door weights 30-260 lbs (Slim Cover) | \$235.90 | 6 | Ea. |
| | CR801SDA | Barrier free, Adjustable size 1-6 (Exterior / Interior) door weights 30-260 lbs with Delay Action. (Slim Cover) | 251.50 | | |
|  | CR801 | Barrier free, Adjustable size 1-6 (Exterior / Interior) door weights 30-260 lbs (Full Cover) | 235.90 | | |
| | CR801DA | Barrier free, Adjustable size 1-6 (Exterior / Interior) door weights 30-260 lbs with Delay Action. (Full Cover) | 251.50 | | |

◆◆ Prices above are for Aluminum, Duro and Gold finish only ◆◆

NON-STOCK PAINTED FINISHES

| | | |
|---------|---|----------------------|
| PAINTED | Special colors (Allow 6-8 weeks delivery) | Add 103.90 List Each |
|---------|---|----------------------|

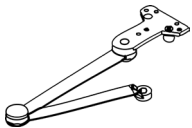
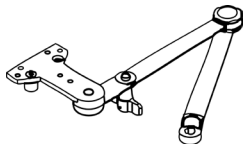
► PACKAGING INCLUDES

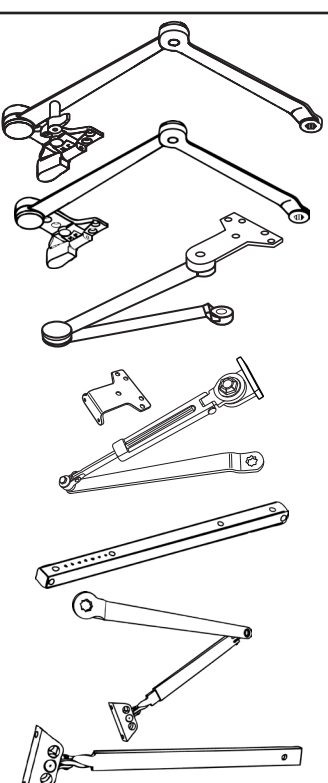


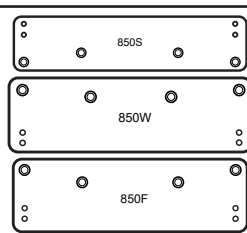
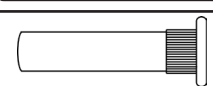
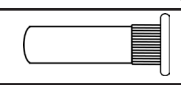

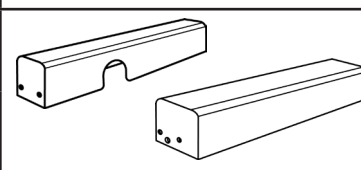
- Parallel bracket
- Wood screws and **self-tapping machine screws**
- Slim cover (**CR801S**)
- Full cover (**CR801**)
- Sex bolts

► STOCK FINISHES

- Aluminum
- Duranodic
- Gold

► PARTS & ACCESSORIES

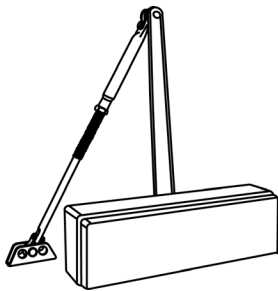
| ILLUSTRATION | ITEM # | DESCRIPTION | LIST PRICE | UNIT |
|---|--------------|---|------------|------|
|  | SPAS900 | Super rigid parallel arm stopper, non-handed with stop in soffit shoe. (Equivalent to LCN CUSH-N-STOP ARM) | \$89.96 | Ea. |
|  | HOSRPS / 900 | Super rigid parallel arm stopper hold-open, non-handed with stop in soffit shoe. Handle controls hold-open function. (Equivalent to LCN H-CUSH ARM) | 102.80 | |

| ILLUSTRATION | ITEM # | DESCRIPTION | LIST PRICE | UNIT |
|---|------------------------------|--|------------|------|
|  | 900HOSPRING | Super rigid parallel arm stopper hold-open, non-handed with spring loaded stop in soffit shoe. Handle controls hold-open function. (Equivalent to LCN SPRING H-CUSH ARM) | \$143.85 | Ea. |
| | 900SPRING | Super rigid non-handed parallel arm with spring loaded stop in the soffit shoe. (Equivalent to LCN SPRING CUSH ARM) | 123.35 | |
| | CR900HDAR NEW ITEM | Non-handed parallel arm features forged, solid steel main and forearm for potentially abusive installations. Equivalent to LCN 3077 EDA | 109.00 | |
| | 901 / 902 | Hold-open arm with parallel bracket, non-handed with stop in soffit shoe. | 72.03 | |
| | TRACK / 900 | Slide track arm with hold-open | 115.33 | |
| | 945AR | Door closer arm (Main and regular forearm) | 28.86 | |
| | 900EXT | Extended long arm (3" extension) for top jamb with deep reveals | 57.72 | |
| OTHER ACCESSORIES | | | | |
|  | 904 | Parallel arm drop bracket for non-hold open parallel arm applications to clear a surface-applied stop / holder | 31.19 | Ea. |
|  | 905 | Parallel arm bracket | 9.32 | |
|  | 850S | Slim Flat drop bracket | 34.63 | |
| | 850W | Wide Flat drop bracket | | |
| | 850F | Full Flat drop bracket | | |
|  | 970 | Sex bolts, female part only 1/4" - 20 (set of 4) | 8.21 | |
|  | 970138 | Sex bolts for 1 3/8" doors, female part only 1/4" - 20 (set of 4) | | |
|  | 706 | Thru bolts and grommet nuts (set of 4) | 5.22 | |
|  | 801SCOV | Slim Cover only | 23.09 | |
| | 801COV | Full Cover only | | |

300 Series *List Price*

ANSI 156.4, GRADE 1 ADA / Barrier Free Adjustable Door Closer With Full Cover

Template Universal hole pattern as: Norton, Yale and Dorma Size 4

| ILLUSTRATION | ITEM # | DESCRIPTION | 1 CASE | PCS / MC | UNIT |
|---|-------------|---|----------|----------|------|
|  | 300PCOV | Adjustable size 3-6 door weights 85-260 lbs (Exterior), (Full Cover) | \$151.56 | 6 | Ea. |
| | 300PBFCOV | Adjustable size 1-4 door weights 30-185 lbs Barrier free (Interior) (Full Cover) | | | |
| | 300PBFDACOV | Adjustable size 1-4 door weights 30-185 lbs Barrier free (Interior) with Delayed Action (Full Cover) | 187.00 | | |

PLATED FINISHES

| | | |
|-----------------|--|------------------------------|
| PLATED FINISHES | US3 In stock (Includes: Plastic cover, full arm, screws and parallel bracket.) | Add \$52.00 List Each |
|-----------------|--|------------------------------|

► PACKAGING INCLUDES

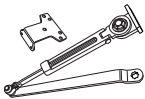

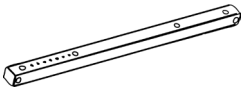
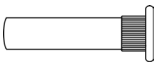
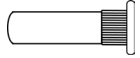
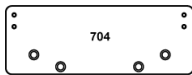


- Parallel bracket
- Wood screws & **self-tapping machine screws**
- Full cover

► STOCK FINISHES

- Aluminum
- Duranodic
- Gold
- US3 (Polished Brass)



► PARTS & ACCESSORIES

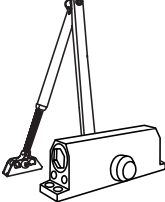
| ILLUSTRATION | ITEM # | DESCRIPTION | LIST PRICE | UNIT |
|---|-------------|--|------------|------|
|  | 301 / 302 | Hold-open arm & parallel bracket | \$50.17 | Ea. |
|  | 905 | Parallel arm bracket | 9.32 | |
|  | TRACK / 900 | Slide Track Arm with Hold-Open | 115.33 | |
|  | 970 | Sex bolts, female part only 1/4" – 20 (set of 4) | 8.21 | |
|  | 970138 | Sex bolts for 1 3/8" doors, female part only 1/4"–20 (set of 4) | | |
|  | 704 | Flat drop bracket | 28.86 | |
|  | 904 | Parallel arm drop bracket for non-hold open parallel arm applications to clear a surface-applied stop / holder | 31.19 | |
|  | COV / 400 | Additional plastic full cover | 17.32 | |

500 Series *List Price*

ANSI 156.4, GRADE 1 ADA / Barrier Free Adjustable Door Closer
With Full Cover



Template Universal hole pattern as: Norton, Yale and Dorma Size 4

| ILLUSTRATION | ITEM # | DESCRIPTION | 1 CASE | PCS / MC | UNIT |
|---|--------|--|----------|----------|------|
|  | 500PBF | Adjustable size 1-5 with Back Check Door weights 30-260 lbs (Price with without cover; optional cover available) | \$143.90 | 6 | Ea. |

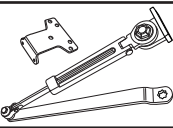


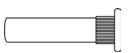
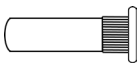
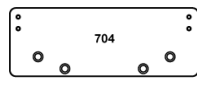

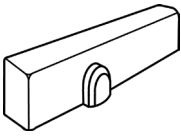
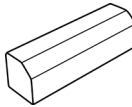
► **PACKAGING INCLUDES**

- Parallel bracket
- Wood screws and self-tapping machine screws

► **STOCK FINISHES**

- Aluminum
- Duranodic
- Full Stainless Steel Cover

► **PARTS & ACCESSORIES**

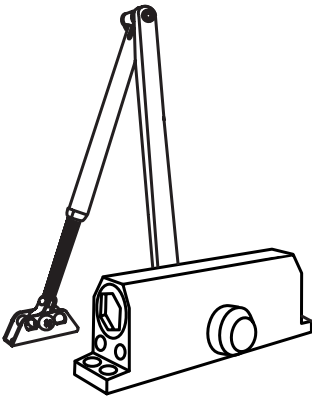
| ILLUSTRATION | ITEM # | DESCRIPTION | LIST PRICE | UNIT |
|---|-------------------------------|--|------------|------|
|  | 501 / 502 | Hold-open arm & parallel bracket | \$50.17 | Ea. |
|  | 505 | Parallel arm bracket | 9.32 | |
|  | 706 | Thru bolts with grommet nuts (set of 4) | 5.22 | |
|  | 970 | Sex bolts, female part only 1/4" – 20 (set of 4) | 8.21 | |
|  | 970138 | Sex bolts for 1 3/8" doors, female part only 1/4" – 20 (set of 4) | | |
|  | 704 | Flat drop bracket | 28.86 | |
|  | 904 | Parallel arm drop bracket for non-hold open parallel arm applications to clear a surface-applied stop / holder | 31.19 | |
|  | 500COV | Slim plastic full cover | 15.54 | |
|  | 500COV 32D NEW ITEM | Full Stainless Steel Cover | 78.59 | |

700 Series *List Price*

Dual Valve Sized Door Closers, ANSI 156.4, GRADE 1 Optional Back Check and Cover



Template Universal hole pattern as: Norton, Yale and Dorma Size 4

| ILLUSTRATION | ITEM # | DESCRIPTION | LIST PRICE | PCS / MC | UNIT |
|--|--------|---|------------|----------|------|
|  | 720 | Regular / Parallel arm size 2 door weights 55-100 lbs | \$99.40 | 10 | Ea. |
| | 730 | Regular / Parallel arm size 3 door weights 88-143 lbs | 106.80 | | |
| | 730BC | Regular / Parallel arm size 3/BC door weights 88-143 lbs | 113.50 | | |
| | 740 | Regular / Parallel arm size 4 door weights 120-187 lbs | 117.60 | | |
| | 740BC | Regular / Parallel arm size 4 / BC door weights 120-187 lbs | 122.30 | | |
| | 750 | Regular / Parallel arm size 5 door weights 176-265 lbs | 126.90 | | |
| | 750BC | Regular / Parallel arm size 5 / BC door weights 176-265 lbs | 131.10 | | |

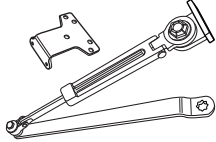

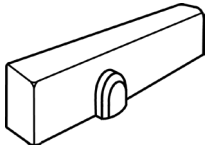
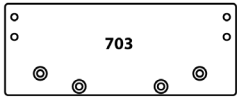
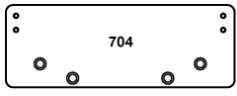
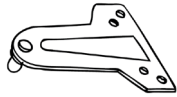


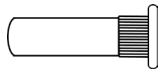
► PACKAGING INCLUDES

- Parallel bracket
- Wood screws and **self-tapping machine screws**

► STOCK FINISHES

- Aluminum
- Duranodic
- Gold
- White (**740BC Only**)

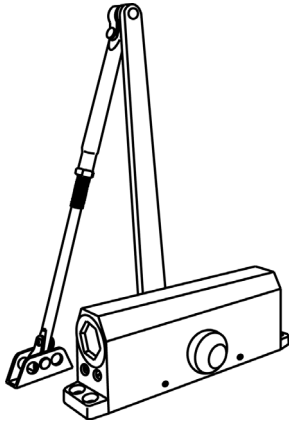
► PARTS & ACCESSORIES FOR 700 SERIES

| ILLUSTRATION | ITEM # | DESCRIPTION | LIST PRICE | UNIT |
|---|-----------|--|------------|------|
|  | 901 / 902 | Hold-open arm with parallel bracket | \$72.03 | Ea. |
|  | 745AR | Door closer arm (Main and regular forearm) | 28.86 | |
|  | COV700 | COV700 slim plastic cover, fits all sizes (Shipped separately) | 20.87 | |
|  | 703 | Flat drop bracket / 720, 730 (size 2, 3) | 25.97 | |
|  | 704 | Flat drop bracket / 740, 750 (size 4, 5) | 28.86 | |
|  | 905 | Parallel arm bracket | 9.32 | |
|  | 706 | Thru bolts with grommet nuts (set of 4) | 5.22 | |
|  | 970 | Sex bolts, female part only 1/4" – 20 (set of 4) | 8.21 | |
|  | 970138 | Sex bolts for 1 3/8" doors, female part only 1/4" – 20 (set of 4) | | |

400 Series *List Price*

Contender Dual Valve Sized Door Closers,
ANSI 156.4 GRADE 2 Optional Back Check and Cover



| ILLUSTRATION | ITEM # | DESCRIPTION | LIST PRICE | PCS / MC | UNIT |
|--|---------|---|------------|----------|------|
|  | 420-P | Regular arm / parallel arm size 2 door weights 55 – 100 lbs | \$79.80 | 10 | Ea. |
| | SM430-P | Regular arm / Smaller body size 3 door weights 88 - 143 lbs (ALUM finish only) <div style="background-color: black; color: white; padding: 2px; text-align: center; font-size: small;">ACCESSORIES BELOW NOT APPLICABLE TO SM430-P</div> | 86.40 | | |
| | 430-P | Regular arm / parallel arm size 3 door weights 88 - 143 lbs | 96.30 | | |
| | 430-PBC | Regular arm / parallel arm size 3 with back check door weights 88 - 143 lbs | 102.00 | | |
| | 440-P | Regular arm / parallel arm size 4 door weights 120 - 187 lbs | 110.30 | | |

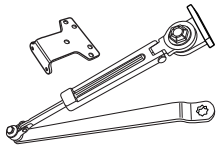
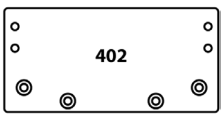
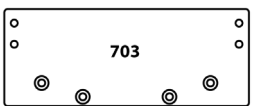


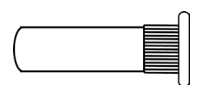
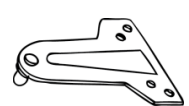

► PACKAGING INCLUDES

- Parallel bracket
- Wood screws and **self-tapping machine screws**

► STOCK FINISHES

- Aluminum
- Duranodic
- Gold
- White (**430-P Only**)

► **PARTS & ACCESSORIES FOR 400 SERIES**

| ILLUSTRATION | ITEM # | DESCRIPTION | LIST PRICE | UNIT |
|---|-----------|--|------------|------|
|  | 301 / 302 | Hold-open arm with parallel bracket | \$50.17 | Ea. |
|  | 402 | Flat drop bracket / 420-P (size 2) | 28.86 | |
|  | 703 | Flat drop bracket / 430-P (size 3) and 440-P (size 4) | 25.97 | |
|  | 706 | Thru bolts with grommet nuts (set of 4) | 5.22 | |
|  | 970 | Sex bolts, female part only 1/4" – 20 (set of 4) | 8.21 | |
|  | 970138 | Sex bolts for 1 3/8" doors, female part only 1/4" – 20 (set of 4) | | |
|  | 905 | Parallel arm bracket | 9.32 | |
|  | COV / 400 | Plastic full cover, fits all sizes (shipped separately) | 17.32 | |

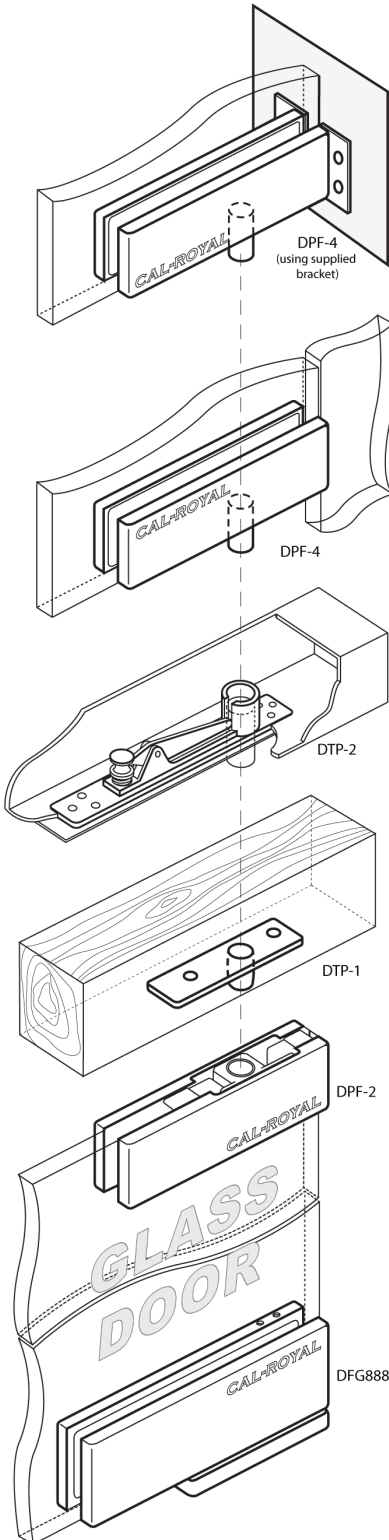
DFG888

CONCEALED GLASS FLOOR DOOR CLOSER

5-YEAR WARRANTY

- ▶ Maximum opening angle: 150° for both left and right opening (double action)
- ▶ Hold-Open Feature @ 90°. Optional Non Hold-Open. Stock item with Hold-Open Feature
- ▶ Two Speed Adjustments. Closing Speed (150°~10°). Latching Speed (10°~ 0°)
- ▶ Easy installation with base seat adjustable for ± 0.12" (±3mm) backward and forward, ± 0.12" (±3mm) left and right, and 4° alignment allowance for adjustment

Must order Floor Closer (DFG888), Top Patch (DPF-2) and either one of the pivots.
Specify type of pivot upon ordering.



FLOOR CLOSER & TOP PATCH

| ITEM # | DESCRIPTION | FINISH | LIST PRICE |
|------------|---|-------------------------------|------------|
| DFG888 | Concealed Floor Closer Capacity: Max 220 lbs (100 kgs) Door Width: 29.5" - 39.4" (750-1000mm) Door Thickness: 0.3" - 0.5" (8-13mm) | Satin Stainless Steel (US32D) | \$457.60 |
| | | Dark Bronze (DURO) | 480.48 |
| DFG888-NHO | Concealed Floor Closer Non-Hold Open Capacity: Max 220 lbs (100 kgs) Door Width: 29.5" - 39.4" (750-1000mm) Door Thickness: 0.3" - 0.5" (8-13mm) | Satin Stainless Steel (US32D) | 457.60 |
| | | Dark Bronze (DURO) | 480.48 |
| DPF-2 | Top Patch (door). Door Thickness: 0.3" - 0.5" (8-13mm) | Satin Stainless Steel (US32D) | 51.48 |
| | | Dark Bronze (DURO) | 54.10 |

DFG888, DFG888-NHO and DPF-2 are sold separately.

▶ PARTS & ACCESSORIES (OPTIONAL PIVOTS)

| ITEM # | DESCRIPTION | FINISH | LIST PRICE |
|--------|---|-------------------------------|------------|
| DTP-1 | Optional Top Pivot. Used on Solid Door Frames | Satin Stainless Steel (US32D) | \$33.29 |
| | | Dark Bronze (DURO) | 33.29 |
| DTP-2 | Optional Adjustable Top Pivot. Used on Hollow Door Frames | Satin Stainless Steel (US32D) | 49.29 |
| | | Dark Bronze (DURO) | 51.78 |
| DPF-4 | Over-panel Patch Used on glass walls or glass overhead panels. Bracket supplied if used on overhead glass panels with a perpendicular concrete or solid wall. | Satin Stainless Steel (US32D) | 66.59 |
| | | Dark Bronze (DURO) | 69.08 |

Pivots are sold separately. Specify type of pivot upon ordering.

DFG888 FEATURES

| | |
|------------------|---|
| Angle of opening | 150° |
| Hold-Open | 90° |
| Closing Speed | Adjustable |
| Latching Speed | Adjustable |
| Handing | Non-Handed |
| Dimensions | Length: 7.32" (186mm) Width: 2.68" (68mm) Thickness: 1.42" (36mm) |

