



BUILDERS HARDWARE

Price List 2017

CAL-ROYAL
P R O D U C T S , I N C . U . S . A .



TABLE OF CONTENTS

I. NUMBERS AND LETTERS

House Letters (A-E), Diecast.....	DH1
House Letters (A-F), Diecast.....	DH1
House Number 0-9, Diecast.....	DH1
Letters A-F, Solid Brass.....	DH1
Letters A-Z, Solid Brass.....	DH1
Number 0-9, Solid Brass.....	DH1

II. MISCELLANEOUS DOOR AND WINDOW HARDWARE

Window Casement Fasteners.....	DH2
ASA Blank Filler Plate.....	DH3
Door Silencers.....	DH3
Latch Guard Protectors.....	DH3
Heavy Duty Roller Catch.....	DH3

III. STRIKES

Template ASA Strikes.....	DH2
Extended Lip ANSI Strikes.....	DH2
Flat Strikes.....	DH2
Optional T-Strike for ARL1338.....	DH2
Security Strikes, Heavy Duty.....	DH2
Security Strikes, Deadbolts.....	DH2
Drive in Thimble Strikes.....	DH3
Strike Filler.....	DH3
Brass Dust Proof Strikes.....	DH3
Strike for Privacy SDL 16.....	DH10
Strike for MB85R and MB86S.....	DH13
Strike for FBG6 and FBGEX12.....	DH13
Strike for MF6341.....	DH14

IV. KICK / ARMOR AND PUSH / PULL PLATES

Armor Plates.....	DH4
Kick Plates.....	DH4
Push Plates.....	DH4-DH5
Pull Plates.....	DH4-DH5

V. DOOR PULLS

Solid Bar Round Pulls.....	DH6
Solid Bar Handle Pulls.....	DH6
Solid Bar Handle Pulls, Ellipse.....	DH6
Door Pulls, Heavy Cast Aluminum.....	DH6

VI. DOOR KNOCKERS / DOOR VIEWERS

Door Knockers, Solid Brass.....	DH7
Door Knocker with Viewers.....	DH7
Door Viewers, Brass.....	DH7
Door Viewers, UL.....	DH8
Door Viewers, UL Privacy.....	DH8
Door Viewer Covers.....	DH8
Electronic Digital Door Viewers.....	DH8

VII. DOOR GUARDS

Privacy Door Latch.....	DH9
Solid Brass Chain Door Guards.....	DH9
Swing Bar Door Guards, Zinc Diecast.....	DH9
Swing Bar Door Guards, Diecast.....	DH9
Swing Bar Door Guards, Solid Brass with Angle Protector...	DH9

VII. DOOR GUARDS

Door Angle Protector.....	DH9
Door Guard Shim.....	DH9

VIII. SLIDING DOOR LOCKS

Privacy Sliding Door Locks, Heavy Duty.....	DH10
Passage Sliding Door Locks, Heavy Duty.....	DH10
Privacy Sliding Door Locks.....	DH10-DH11
Passage Sliding Door Locks.....	DH10-DH11
Dummy Sliding Door Locks.....	DH11

IX. SECURITY BOLTS

Decorative Dutch Door Bolts, Solid Brass.....	DH12
Surface Bolts, Decorative Heavy Duty Angle Strike..	DH12
Surface Bolts, Brass.....	DH12
Surface Bolts, Decorative.....	DH12
Surface Bolt, UL-Listed 8".....	DH13
Surface Mounted, UL-Listed 8", 12".....	DH14

X. FLUSH BOLTS

SECURITY FLUSH BOLTS

Solid Brass Flush Bolt Round Ends.....	DH12
Solid Brass Flush Bolt Square Ends.....	DH12
Flip Style Mortise Flush Bolt, 18" Extension Rods...	DH13
Flip Style Mortise Flush Bolts.....	DH13
Single Route Extension Flush Bolt, Solid Brass	DH13
Single Route Flush Bolt, Solid Brass.....	DH13
Lever Extension Flush Bolts, UL-Listed Solid Brass...	DH14
Commercial Manual Flush Bolt, Stamped Brass.....	DH14

AUTO FLUSH BOLTS

Metal Door Automatic Flush Bolts.....	DH15
Wood Door Automatic Flush Bolts.....	DH15

COMBINATION FLUSH BOLTS

Metal Door Self-Latching Flush Bolts.....	DH16
Wood Door Self-Latching Flush Bolts.....	DH16

UNIVERSAL FLUSH BOLTS

Metal and Wood Door Universal Flush Bolts.....	DH17
--	------

XI. DOOR COORDINATORS

Gravity Coordinators, UL.....	DH18
Coordinators with Filler Bars, UL.....	DH18
Carry Bars.....	DH18
Mounting Brackets.....	DH18

XII. HANDRAIL BRACKETS

Handrail Brackets, Jumbo Heavy Duty.....	DH19
Handrail Brackets, Heavy Duty Cast Aluminum.....	DH19
Handrail Brackets, Heavy Duty Cast.....	DH19
ADA-Approved Handrail Brackets, Heavy Duty Cast..	DH19

XIII. DOOR STOPS

WALL DOOR STOPS / BUMPERS

Concave Wall Stops, Stainless Steel.....	DH20
Convex Wall Stops, Stainless Steel.....	DH20
Convex Wall Stops, Solid Brass.....	DH20
Commercial Grade Heavy Duty Wall Door Stops....	DH20
Curved Roller Stops, Solid Brass.....	DH20

TABLE OF CONTENTS

XIII. DOOR STOPS

WALL DOOR STOPS / BUMPERS

Straight Roller Stop, Solid Brass.....	DH20
Rigid Door Stops, Solid Brass.....	DH20
Flexible Door Stops.....	DH21
Rigid Door Stops, Cast.....	DH21
Flexible Snap on Door Stops, Heavy Duty.....	DH21
Flexible Door Stops, Heavy Duty.....	DH21
Spring Door Stop, Jumbo Heavy Duty.....	DH21
Rigid Door Stops, Diecast Jumbo.....	DH21
Wall Door Stops, Stainless Steel.....	DH21

FLOOR DOOR STOPS

Commercial Grade Floor Door Stops, Heavy Duty.....	DH22
Security Door Stops.....	DH22
Goose Neck Floor Stops.....	DH22
Small Goose Neck Floor Stops.....	DH22
Dome Stops, Solid Brass.....	DH22
Dome Stops, Heavy Duty Cast Brass.....	DH23
Risers for Dome Stops.....	DH23
Stainless Steel, Floor Stops.....	DH23

DOOR HOLDER / STOPS

Kick Down Door Holders, Solid Brass.....	DH24
Kick Down Door Holders, Zinc Diecast.....	DH24
Vinyl Rubber Stops.....	DH24
Kick Down Door Holders, Cast Iron.....	DH24
Commercial Grade Door Stops, Heavy Duty.....	DH24

HINGE PIN DOOR STOPS

Hinge Pin Door Stops, Jumbo Heavy Duty.....	DH25
Hinge Pin Door Stops, Jumbo.....	DH25
Hinge Pin Door Stops, Deluxe.....	DH25
Hinge Pin Stops, Light Duty.....	DH25
Hinge Pin Stops, Heavy Duty.....	DH25
Hinge Pin Door Stops.....	DH25

XIV. CLOSET HARDWARE

CLOSET ROD & SHELF SUPPORTS

Adjustable Closet Rods.....	DH26
Adjustable Shelf and Rod Support.....	DH26
Adjustable Shelf Support Only.....	DH26
Single Shelf & Rod Support.....	DH26
Heavy Duty Shelf & Rod Support.....	DH26
Oval Closet Rods.....	DH26

POLE SOCKETS

Closet Pole Sockets.....	DH26
Steel Closet Pole Sockets.....	DH27
Wood Closet Pole Sockets.....	DH27

CATCH AND LATCHES

Jumbo Roller Catch.....	DH27
Adjustable Ball Catch, Solid Brass.....	DH27
Adjustable Ball Catch with Full Lip.....	DH27
Adjustable Drive-In Ball Catch.....	DH27
Adjustable Roller Latch.....	DH27
Bullet Catch.....	DH28
T-Strike for Bullet Catch.....	DH28

XIV. CLOSET HARDWARE

CATCH AND LATCHES

Magnetic Dual Triple Pole Catch, Heavy Duty.....	DH28
Magnetic Triple Pole Catch.....	DH28

COAT AND HAT HOOKS.....

DH28

PULLS

Solid Brass Drawer Pulls.....	DH28
Bi-Fold Ball Knob Pulls.....	DH28
Bi-Fold Ball Knob Back Plates.....	DH28
Bi-Fold Concave Knob Beveled Edge Pulls.....	DH28
Drive in Finger Pulls.....	DH28

XV. SURFACE OVERHEAD DOOR

HOLDER & STOPS

Surface Overhead Door Holder with Hold Open.....	DH29
Surface Overhead Door Stop only UL-Listed.....	DH29

XVI. DOUBLE-ACTING FLOOR SPRING HINGE... DH29

XVII. CRASH CHAIN AND BOLTS

Single Spring Crash Chain Doors.....	DH29
Super Heavy Duty Chain Doors.....	DH29
24" Chain Bolt Hardened Steels.....	DH29

XVIII. SIGNS

HANDICAP RESTROOM SIGNS (ADA) WITH BRAILLE

Boys Signs.....	DH30-DH31
Girls Signs.....	DH30-DH31
Men Signs.....	DH30-DH31
Unisex Restroom Signs.....	DH30-DH31
Women Signs.....	DH30-DH31
No Smoking Signs.....	DH30
Exit Signs.....	DH30
Restroom Signs.....	DH30

DECALS AND STICKERS

Blue Insignia Handicap Logos.....	DH31
Blue Square Plastic Sign & Handicap Logos.....	DH31
These doors ... unlocked during business hours.....	DH31
These doors..unlocked when building is occupied.....	DH31
This door... unlocked during business hours.....	DH31
This door ... unlocked when building is occupied.....	DH31

CALIFORNIA-APPROVED RESTROOM SIGNS WITH BRAILLE

Men Signs.....	DH32
Women Signs.....	DH32
Handicap Accessible Signs.....	DH32
Unisex Restroom Handicap Signs.....	DH32
Restroom Signs.....	DH32
Exit Signs.....	DH32

XIX. SLIDING DOOR HARDWARE

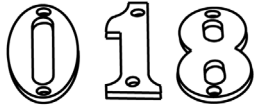

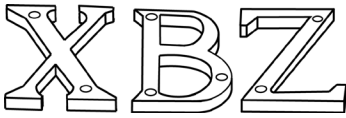
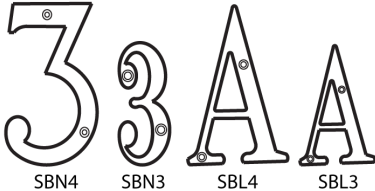
STAINLESS STEEL DOOR HARDWARE (SDH SERIES)

SDH Series for Wood Doors.....	DH33
SDH Series for Wood and Glass Doors.....	DH33-DH34

BLACK BARN DOOR HARDWARE (BDH SERIES)

BDH Series for Wood Doors.....	DH35
--------------------------------	------

SOLID BRASS NUMBERS AND LETTERS

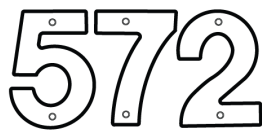
ILLUSTRATION	ITEM NO	DESCRIPTION	FINISH	INNER QTY	MASTER QTY	LIST PRICE EACH
	SBN2	2" Solid Brass Numbers 0-9 Thickness: 3/16"	US3	10	200	\$6.60
	SBN3	3" Solid Brass Numbers 0-9	US3	10	100	8.50
	SBN4	4" Solid Brass Numbers 0-9 Thickness: 3/16"	US3	10	100	11.60
	SBL2	2" Solid Brass Letters A-Z	US3	10	200	8.60
	SBL3	3" Solid Brass Letters A-Z	US3	10	100	10.40
	SBL4	4" Solid Brass Letters A-Z Thickness: 7/32"	US3	10	100	14.40
	SBN3	3" Solid Brass Numbers 0-9 Thickness: 3/16"	US15, 10B	20	200	13.80
	SBL3	3" Solid Brass Letters A-F Thickness: 7/32"	US15, 10B	20	200	13.80
	SBN4	4" Solid Brass Numbers 0-9 Thickness: 3/16"	US15, 10B, 26	20	200	18.40
	SBL4	4" Solid Brass Letters A-F Thickness: 7/32"	US15, 10B, 26	10	100	18.40



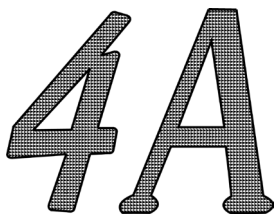
SBN8	8" Solid Brass Numbers 0-9 Thickness: 9/32"	US3	5	50	56.20
------	--	-----	---	----	-------

SBN8 AVAILABLE WHILE SUPPLIES LAST

DIECAST NUMBERS & LETTERS

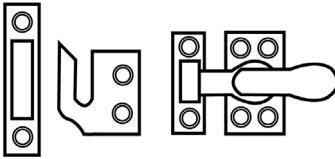
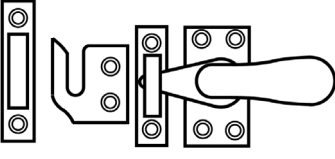
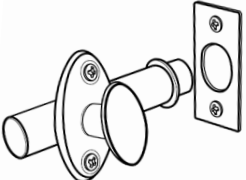
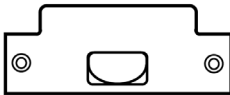
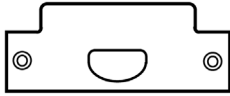
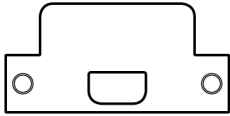
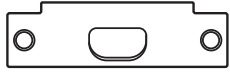
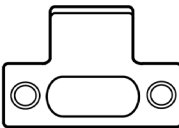
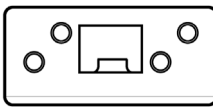



ZN5	5" Diecast Numbers 0-9 Thickness: 7/32"	US3, 15, 10B	50	100	\$13.60
-----	--	--------------	----	-----	---------

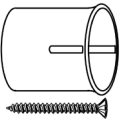

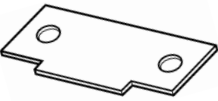

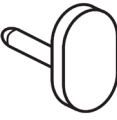

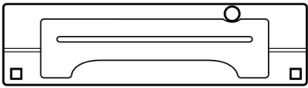
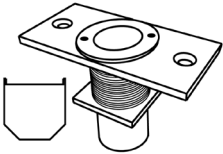
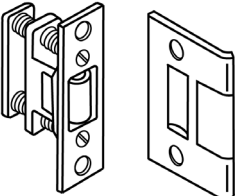


PN20BK	4" Diecast House Number (0-9) and Letters (A-F) Packed with Nails. Affix number or letter to be ordered with Item code. E.g. "PN20BK 4" to order (4) in black finish. Thickness: 3/32"	Black	100	1000	1.70
PN20US3	4" Diecast House Number (0-9) and Letters (A-E) Packed with Nails. Affix number or letter to be ordered with Item code. E.g. "PN20US3 4" to order (4) in US3 finish. Thickness: 3/32"	US3	100	1000	2.00

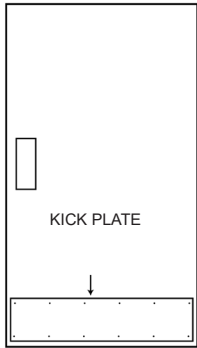
MISCELLANEOUS DOOR AND WINDOW HARDWARE

ILLUSTRATION	ITEM NO	DESCRIPTION	FINISH	INNER QTY	MASTER QTY	LIST PRICE EACH
	SBCF222	Window Casement Fasteners, Solid Brass (1 5/8" x 7/8", Projection 1 3/8")	US3, 5, 10B, US15, 15A, US19, 26, 26D	20	100	\$25.20
	SBCF333	Window Casement Fasteners, Solid Brass (2 1/16" x 1 1/16", Projection 1 7/8")	US3, 5, 10B, US15, 15A, US19, 26, 26D	10	100	36.70
	DL402361	Door / Window Casement Security Latch Lock Bolt Projection: 1/2" Escutcheon Dimension: 7/8" x 1 11/16" Thumbturn: 5/8" x 1" Strike: 7/8" x 1 3/4"	US3, 5, 10B, US15, 26, 26D	20	200	18.80
	ASA478	Template ASA Strike (4 7/8" x 3 3/8" x 1 1/4"), Stainless Steel	US32D	1	100	7.00
		Template ASA Strike (4 7/8" x 3 3/8" x 1 1/4"), Solid Brass	US3, 10, 10B US26			12.10
	ASAST	Template ASA Strike (4 7/8" x 3 3/8" x 1 1/4"), Steel Base	US3, 26, 26D	1	100	4.20
			US10, 10B			6.30
	EXASA-175	Extended Lip ANSI Strike (4 7/8" x 3 3/8" x 1 1/4"), Stainless Steel 1 3/4" Lip Extension from Screw Center Line	US32D, DURO	1	100	37.90
	FLAST-46	Flat Strike (4 7/8" x 3 3/8" x 1 1/4"), Stainless Steel 4 1/8" CTC	US32D, 10B	1	100	37.90
	ARLTSTRK62	Optional T-Strike for Heavy Duty Roller Catch ARL1338 Size: 2 3/4" x 1 1/2" x 1 3/4"	US3, 5, 10B, US15, 15A, 19 US26, 26D	1	1	7.70
	SDTP3625	Heavy Duty Security Strike Size: 3 5/8" x 1 1/8" Individually poly-bagged with 2 pcs #10 x 3/4" Wood Screws	US3, 10B, 15, US15A, 26	1	200	2.80
	SS114358	Deadbolt Security Strike Size: 3 5/8" x 1 1/4", 1/4" Rad. Packed with 2 pcs #12 x 3" and 2 pcs #12 x 1 1/4" Wood Screws	US3, 5, 10B US15, 26D	50	300	5.60

MISCELLANEOUS DOOR AND WINDOW HARDWARE


ILLUSTRATION	ITEM NO	DESCRIPTION	FINISH	INNER QTY	MASTER QTY	LIST PRICE EACH
	DTS80	Drive In Thimble Strike Length: 1 1/8" Diameter 1"	Zinc	100	200	\$1.90
	ASA-FP	ASA Blank Filler Plate Used for Door Frames Dimensions: 1 1/4" x 4 7/8"	---	1	100	2.30
	SF	Strike Filler Used for Door Frames Dimensions: 1 1/4" x 4 7/8" 1 5/8" at Lip Thickness: 10 Ga.	---	1	150	4.40
	DSM21	Door Silencer 1/2" Dia. 1/2" Length For Metal Frames ANSI / BHMA LO3011	Rubber	200 / Bag	10,000	48.00 per 200
	DSW85	Door Silencer 3/8" x 3/4" Base, 3/4" Length For Wood Frames ANSI / BHMA LO3021	Rubber	200 / Bag	10,000	55.50 per 200
	LPG2	Latch Guard Protector Size: 2 7/8" x 11"	USP, ALUM, DURO, GOLD	10	60	14.60
	GJLPG2	Latch Guard Protector Size: 3" x 11" Similar to Glynn Johnson #LP1	US32D	10	60	46.30
	DPSTRK1	Brass Dust proof Strike Face Plate: 1 3/8" x 2 7/8" ANSI / BHMA LO4021	US3, 10B, 26, US26D	10	100	28.90
	ARL-1338	Heavy Duty Roller Catch Adjustable Nylon Roller With Square Heavy Duty Cast 2 1/4" Full Lip Strike: Size: 1/8" x 1" x 3 3/8", Depth: 1 13/16" ANSI / BHMA:E09091	US3, 5, 10B, US15, 15A, US19, 26, US26D	10	100	38.90


KICK / ARMOR AND PUSH / PULL PLATES

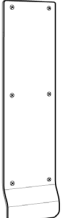
ILLUSTRATION	ITEM NO	DESCRIPTION	FINISH	INNER QTY	MASTER QTY	LIST PRICE EACH
 <p>KICK PLATE</p> <p>ANSI / BHMA J102</p>	BKICK834	Metal Kick Plates with Screws	US32D	1	10	\$64.00
	KICK834	Size: .050" x 8" x 34"	US10B			159.40
	AKICK834	Metal Kick Plates with Screws	US32D	1	10	55.50
	BKICK1034	Metal Kick Plates with Screws	US32D			80.50
	KICK1034	Size: .050" x 10" x 34"	US10B	199.20		
	AKICK1034	Metal Kick Plates with Screws	US32D	1	10	69.40
	BKICK1046	Stainless Steel Kick Plates with Screws	US32D			108.90
	KICK1046	Size: .050" x 10" x 46"	US10B			
	BKICK1234	Stainless Steel Kick Plate with Screws	US32D	1	10	78.00
	KICK1234	Size: .050" x 12" x 34"	US10B			

PRICES ON STAINLESS STEEL KICK PLATES ARE SUBJECT TO CHANGE WITHOUT NOTICE. PLEASE INQUIRE CURRENT PRICE BEFORE ORDERING

 <p>ARMOR PLATE</p>	ANO634	Aluminum Kick Plate With Screws	US3/4	1	50	29.20
	KICK634	Size: 0.32" x 6" x 34"	US10B, 15			29.20
	ANO834	Aluminum Kick Plate With Screws	US3/4	1	50	33.30
	KICK834	Size: 0.32" x 8" x 34"	US10B, 15			33.30
	ANO1034	Aluminum Kick Plate With Screws	US3/4	1	20	43.90
	KICK1034	Size: 0.32" x 10" x 34"	US10B, 15			43.90
BARM3434	Stainless Steel Armor Plates	US32D	1	3	205.80	
KICK3434	Size: .050" x 34" x 34"	US10B				
(\$25.00 NET PALLET CHARGE FOR ORDERS With 5 PIECES OR LESS)						
BARM3436	Stainless Steel Armor Plates	US32D	1	3	217.90	
KICK3436	Size: .050" x 34" x 36"	US10B				
(\$25.00 NET PALLET CHARGE FOR ORDERS With 5 PIECES OR LESS)						

	PSPL3515	Push Plate Size 0.050" x 3 1/2" x 15" Packed with Protective Film and Screws	US32D	1	60	15.40
			US3			35.30
			US10, 10B, US26, 4, 5			39.70
			US32D			17.10
PSPL4016	Push Plate Size 0.050" x 4" x 16" Packed with Protective Film and Screws ANSI / BHMA J301	US3	1	60	40.90	
		US10, 10B, US26, 4, 5			45.70	
		US32D, 3			72.20	
		US32D			17.10	

	PULPL3515	Pull Plate Size: 0.050" x 3 1/2" x 15" Packed with Solid Brass 6" Handle, Fasteners and Washers. One piece mounted.	US32D, 3	1	6	72.20
			US10, 10B, US4, 5, 26			90.20
			US32D, 3			75.10
			US10, 10B, US4, 5, 26			93.90
PULPL4016	Pull Plate Size: 0.050" x 4" x 16" Packed with Solid Brass 6" Handle, Fasteners and Washers. One piece mounted.	US32D, 3	1	6	75.10	
		US10, 10B, US4, 5, 26			93.90	
		US32D, 3			75.10	
		US10, 10B, US4, 5, 26			93.90	

	CMBOPUL3516	Stainless Steel Push / Pull Plate Plate: 3 9/16" X 16 5/16" Projection : 1 1/8" (29 mm) Gauge: 0.125" (3.5 mm) BHMA: J303 Fasteners: Six (6) #6 x 5/8" OPH tapping screws	US32D	10	50	68.70
---	-------------	---	-------	----	----	-------

NEW ITEM

PUSH / PULL PLATES

ILLUSTRATION	ITEM NO	DESCRIPTION	FINISH	INNER QTY	MASTER QTY			LIST PRICE EACH
					FINISHES			
					US32D	US3	US10B	
	1000	Solid Bar Round Pull Plates 3/4" diameter	2 1/4" Proj.	3.5" x 15"	\$60.60	\$102.20	\$121.10	
	1001	6" CTC		4' x 16"	63.10	108.50	128.70	
	1001ADA*	2 5/8" Proj.			74.50	--	--	
	1002	Solid Bar Round Pull Plates 3/4" diameter	2 1/4" Proj.	3.5" x 15"	66.90	111.00	131.20	
	1003	8" CTC		4' x 16"	68.10	116.10	138.80	
	1003ADA*	2 5/8" Proj.			79.50	--	--	
	1004	Solid Bar Round Pull Plates 1" diameter	2 1/2" Proj.	3.5" x 15"	107.20	169.00	199.30	
	1005	8" CTC		4' x 16"	109.80	176.60	206.90	
	1005ADA*	2 7/8" Proj.			121.10	--	--	
	1006	Solid Bar Round Pull Plates 1" diameter	2 1/2" Proj.	3.5" x 15"	116.10	184.20	218.20	
	1007	10" CTC		4' x 16"	118.60	189.20	225.80	
	1007ADA*	2 7/8" Proj.			131.20	--	--	

*ADA - Americans with Disabilities Act Approved

Clearance from plate to handle: ADA: 1 7/8"; Non-ADA: 1 1/2"; 1 Pcs / Inner Box; 10 Pcs / Master Carton

STAINLESS STEEL PULL PLATE

Stainless Steel Pull Plate with 3/4" "PULL" engraved in black color.

ILLUSTRATION	ITEM NO	PULL BAR			PLATE				PACKING		LIST EACH
		DIA.	CTC	PROJ.	WIDTH	LENGTH	THICK	FINISH	BOX	CASE	
	PULL1000	3/4"	6"	2 1/4"	3 1/2"	15"	0.050"	US32D	10	50	\$79.00
	PULL1001ADA*			2 5/8"							93.00
	PULL1003ADA*		8"	98.00							
	PULL1005ADA*	1"	10"	2 7/8"	139.60						
	PULL1007ADA*			149.30							
	PULL001	ELLIPSE BAR	5.5"	1 3/4"	3 1/2"	15"					90.60
	PULL002				4"	16"					93.60

Fasteners:
 Round Pull Bar Plates: (6) #6 x 1/2" SS screws; (2) # 1/4" - 20 x 2 1/2" Steel screws; (2) Steel washers
 Ellipse Pull Bar Plates: (6) #6 x 1/2" SS screws; (2) # 10-32 x 2 1/4" Steel screws; (2) Steel washers

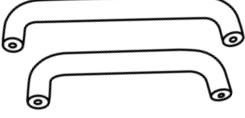
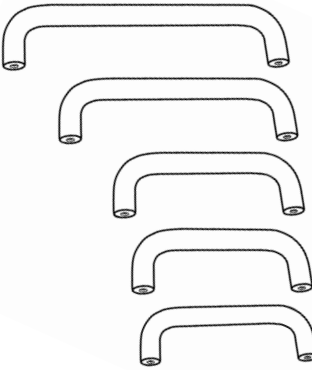

STAINLESS STEEL PUSH PLATE

Stainless Steel Push Plate with 3/4" "PUSH" engraved in black color.

ILLUSTRATION	ITEM NO	DESCRIPTION	SIZE	FINISHES	PACKING		LIST EACH
					BOX	CASE	
	PUSH003	Push Plate with 3/4" "PUSH" engraved in black	3 1/2" x 15"	US32D	10	50	\$33.90
	PUSH004		4" x 16"				35.50


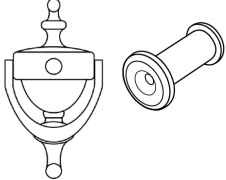

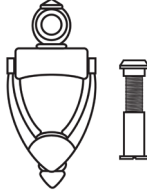

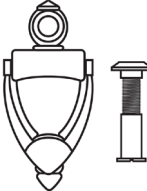
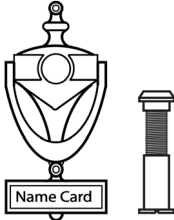
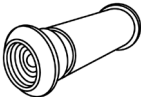


*ADA - Americans with Disabilities Act Approved

DOOR PULLS

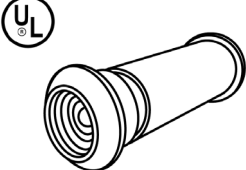
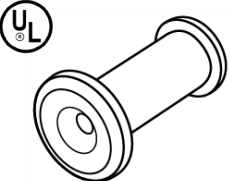

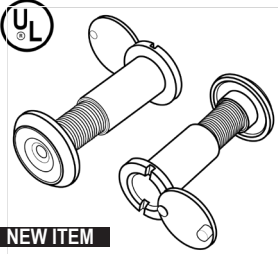


ILLUSTRATION	ITEM NO	DESCRIPTION	FINISH	INNER QTY	MASTER QTY	LIST PRICE EACH			
	PUL200	Solid Bar Round Pull 1" diameter, 10" CTC Projection: 2 1/2"	US3	1	10	\$131.10			
			US32D			91.40			
	US3		110.60						
	US32D		88.40						
	PUL202	Solid Bar Round Pull 3/4" diameter, 10" CTC Projection: 2 1/4"	US3	1	10	73.90			
			US32D			54.70			
	PUL203		Solid Bar Round Pull 3/4" diameter, 8" CTC Projection: 2 1/4"			US3	1	10	67.30
						US10B			86.60
US32D	45.70								
ALUM	27.70								
PUL204	Solid Bar Round Pull 3/4" diameter, 6" CTC Projection: 2 1/4"	US3	1	10	60.10				
		US10B			77.00				
		US32D			43.30				
ALUM		26.50							
PUL205		Solid Bar Round Pull 3/4" diameter, 5 1/2" CTC Projection: 2 1/4"			US3	1	10	52.90	
					US15			53.40	
	US10B		72.10						
	US32D		42.80						
ALUM	29.80								
US3	52.90								
PUL206	Solid Bar Round Pull 5/8" diameter, 5 1/2" CTC Projection: 2"	US10B	1	10	72.10				
		US32D			38.50				
		ALUM			26.00				
PUL207		Solid Bar Pull Handle 3/8" x 1 1/4", 10" CTC Projection: 2"			US3	1	10	94.70	
					US10B			115.90	
					US15			90.40	
	US28		39.50						
PUL208	Solid Bar Pull Handle 3/8" x 1 1/4", 8" CTC Projection: 2"		US3	1	10			89.90	
			US10B					98.60	
		US15	77.40						
US28		35.60							
PUL209		Solid Bar Pull Handle 3/8" x 1 1/4", 6" CTC Projection: 2"	US3			1	10	68.80	
			US10B					79.40	
	US15		58.20						
	US26		68.80						
US28	34.70								
PUL210	Solid Bar Pull Handle, 7/8" x 1/2" Ellipse 5 1/8" CTC; Projection: 1 3/4"		US3	1	10			42.80	
		US28	23.60						
PUL211		Solid Bar Pull Handle, 3/4" x 1/2" Ellipse 5 1/2" CTC Projection: 1 3/4"	US3			1	10	52.40	
			US10B					54.80	
US15	28.90								
US26	62.10								
US32D	76.00								
	PULL715		Heavy Cast Aluminum Door Pull 7 3/8" x 1 1/2" 2 1/16" Projection Exposed Screws, Thru-bolt Option	ALUM, DURO	10			50	13.70

NEW ITEM

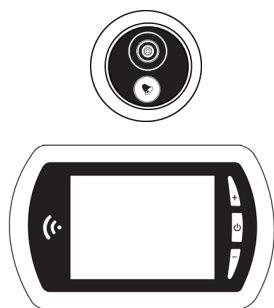
DOOR KNOCKERS AND VIEWERS

ILLUSTRATION	ITEM NO	DESCRIPTION	FINISH	INNER QTY	MASTER QTY	LIST PRICE EACH
	SBDK356	Solid Brass Door Knocker Size: 3 1/2" x 6 3/8" Screw Holes: 4 1/8" CTC Similar to IVES#312	US3, 5, 10B, US15, 15A, US26, 26D	10	50	\$39.40
	SBDK / DV180	Solid Brass Door Knocker With 180° Door Viewer, 9/16" Bore. Size: 3 1/2" x 6 3/8" Screw Holes: 4 1/8" CTC For Doors 1 3/8" to 1 3/4" Thick	US3	10	50	48.90
	SSBDK234	Solid Brass Door Knocker Size: 2 1/8" x 3 3/4" Screw Holes: 3 3/8" Similar to IVES#3102	US3 US15, 10B	20	200	32.50 37.50
	DK93 (Non UL)	Door Knocker With 160° Viewer, 1/2" Bore. Size 1 3/4" x 4" Screw Holes: 2 1/2" CTC For Doors 1 3/8" to 1 3/4" Thick	US3, 5, 26D, US15, 15A, US10B	24	240	12.50
	ULDK93 (UL Listed)	Door Knocker With 160° Viewer, 1/2" Bore, Size 1 3/4" x 4" Screw Holes: 2 1/2" CTC For Doors 1 3/8" to 1 3/4" Thick	US3, 5, 26D, US15	24	240	16.10
	DK94	Door Knocker With 180° Viewer, 9/16" Bore. Size 2 3/8" x 5 1/2" Screw Holes: 3 3/8" CTC For Doors 1 3/8" to 1 3/4" Thick. Non UL.	US3, 5, 26D, US15, 15A, US10B	12	120	16.10
	DKN95	Door Knocker With 160° Viewer Name Card. Size 2" x 4 3/4", Screw Holes: 3 3/8" CTC For Doors 1" to 1 3/4" Thick.	US3,5	12	120	13.90
DKN95 (US5) AVAILABLE WHILE SUPPLIES LAST						
	DV90	Brass Door Viewer, 160°, 1/2" Bore, Plastic Lens For Doors 1 3/8" to 2 1/4" Thick. ANSI / BHMA LO3172	US3, 5, US15, 10B, US26D, 26	24	600	3.80
	DV91	Brass Door Viewer, 180°, 1/2" Bore, Plastic Lens For Doors 1 3/8" to 2" Thick.	US3, 5, US15, 10B, US26D, 26	12	600	5.10
	DV180	Brass Door Viewer, 180°, 9/16" Bore, Plastic Lens For Doors 1 3/8" to 2" Thick. ANSI / BHMA LO3171	US3, 5, US15, 15A, US26D, 26, US10B	12	600	5.10

DOOR VIEWERS

ILLUSTRATION	ITEM NO	DESCRIPTION	FINISH	INNER QTY	MASTER QTY	LIST PRICE EACH
	ULDV160	UL Listed Door Viewer, 160°, 1/2" Bore; Glass Lens For Doors 1 3/8" to 2" Thick. BHMA LO3172	US3, 26, 26D, US10B, 10A, 15	25	1000	\$8.90
	ULDV200	UL Listed Door Viewer, 200°, 9/16" Bore Glass Lens For Doors 1 3/8" to 2 1/4" Thick.	US3, 26, 26D, US10B, 10A, 15	25	500	14.00
	10ULDV201	UL Listed Door Viewer, 200°, 9/16" Bore Glass Lens For Doors 1" to 1 3/8" Thick.	US3, 10B, US26D, 15	25	500	14.00
 NEW ITEM	PRIULDV200	UL Listed Privacy Door Viewer UL fire rated for 20 minutes Heavy Duty Privacy Rotating Cover 200° Glass Lens 1" Head diameter 9/16" Bore Door Thickness: 1 3/8" - 2 1/4"	US3, 10B, US15, 26, 26D	25	500	20.80
	COV160	1/2" Door Viewer Cover. To be used with DV90, DV91, ULDV160 Door Viewers	US3, 10B, US15, 26D	100	1000	4.00
	COV200	9/16" Door Viewer Cover. To be used with DV180, ULDV200, ULDV201 Door Viewers	US3, 10B, US15, 26D	100	1000	4.00

ELECTRONIC DIGITAL DOOR VIEWER



ELDVBEL150

- Dia. 1/2" ~ 1 1/8" (13mm ~ 29mm)
- Supported Existing Door Bores
- 3.5" TFT, (90mm) 320x240 resolution LCD Viewer Screen size
- Fully Integrated Digital Camera and LCD display
- Quick and Easy Installation
- Clear Large Image 0.3 Mega Pixels CMOS Resolution
- Easy Operation
- Convenient for Children and Elderly
- Provides Additional Privacy
- 3 X AA Batteries included
- 8.5oz (240g) Net Weight

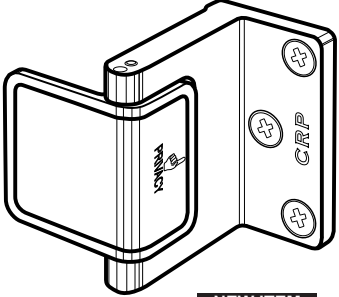
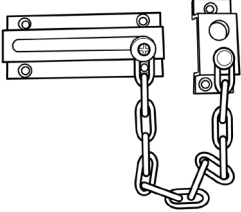
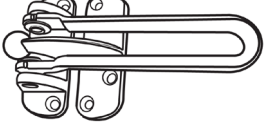
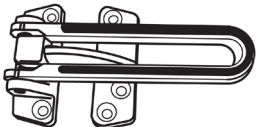
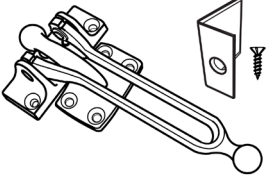



SILVER,
DURO,
GOLD

1



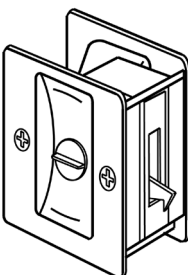

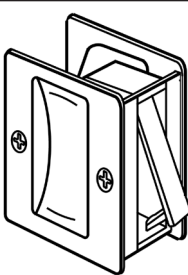
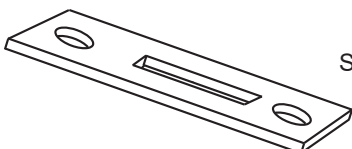
20

\$322.40

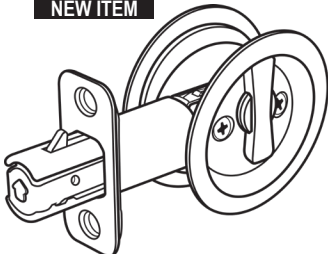
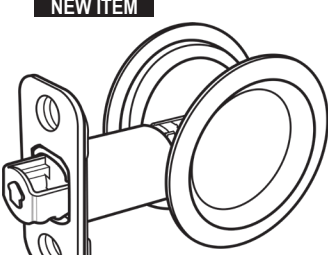
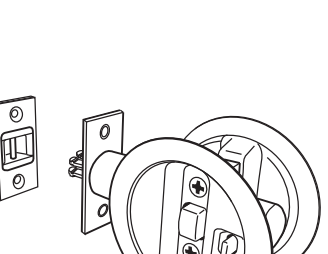
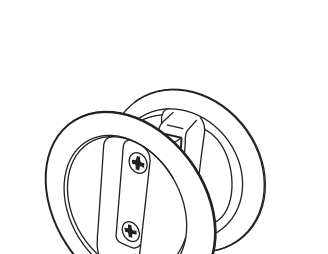
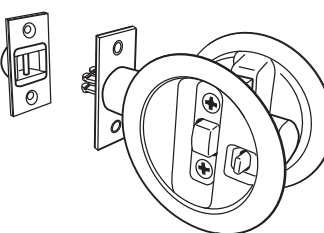
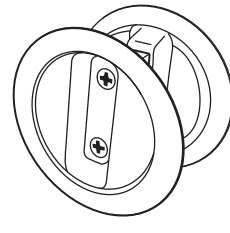
DOOR GUARDS

ILLUSTRATION	ITEM NO	DESCRIPTION	FINISH	INNER QTY	MASTER QTY	LIST PRICE EACH
 <p>NEW ITEM</p>	HPDL258	Privacy Door Latch Material: Zinc Die Cast Height: 2 1/8" Width (Base): 1 1/2" Weight: 0.65 lbs/unit Opening Angle: 87°	US26D, 26, US3, 4, 10B	10	50	\$61.40
	DG22	Solid Brass Chain Door Guard, 6 3/4" Chain BHMA LO3041	US3 US5, 26	 20	 200	 10.20 11.30
	BBDHG88	Zinc Diecast Swing Bar Door Guard With Ball Bearing	US3, 4, US5, 10B, US26, 26D	10	100	13.50
	PDG88	Diecast Swing Bar Door Guard With Ball Bearing and Protective Rubber Insert On Both Sides Of Arms	US3, 4, US26, 26D, US10B	10	100	19.00
	SBDG00	Solid Brass Door Guard Packed With Angle Protector. Comparable to IVES 482B, Arm length 4 3/4". With Ball Bearing ANSI / BHMA LO3041	US26D US3, 26, US4, 10B	 10	 100	 35.20 38.70
	DAP77	Door Angle Protector with Adhesive and Individual Screw for secure mounting. To be used with BDHG88 and PDG88 Door Guards.	US3, 4, 5, US26, 26D, US10B	1	200	3.30
	DGS39	Door Guard Shim to be used when face of door is recessed from face of jamb. Fits under door guard sector which attaches to door. To be used with BBDHG88 and PDG88 . 1/8" Thick.	Black	100	500	3.30
	DGS100	Door Guard Shim to be used when face of door is recessed from face of jamb. Fits under door guard sector which attaches to door. To be used with SBDG00 . 1/8" Thick.	Black	100	500	3.30

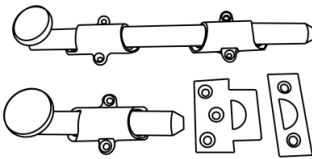

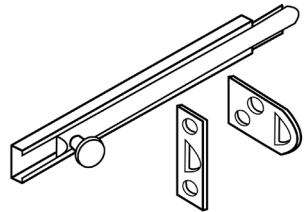
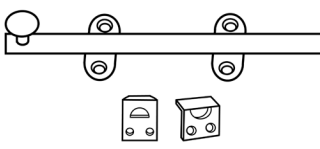
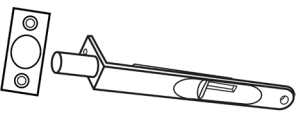
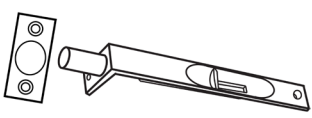
SLIDING DOOR LOCKS

ILLUSTRATION	ITEM NO	DESCRIPTION	FINISH	INNER QTY	MASTER QTY	LIST PRICE EACH
	PRIPDL21	Heavy Duty Privacy Sliding Door Lock Function, Standard Door Prep: 2 7/8" x 1 3/4" Can be used on 1 3/8" and 1 3/4" door thickness.	US3, 5, 10B, US15, 15A, US26, 26D	10	50	\$31.30
	PASPDL34	Heavy Duty Passage Sliding Door Lock Function, Standard Door Prep: 2 7/8" x 1 3/4" Can be used on 1 3/8" and 1 3/4" door thickness.	US3, 5, 10B, US15, 15A, US26, 26D	10	50	29.00
	SDL16	Privacy Sliding Door Lock Comparable to Quality No. 101	US3 US3 / 26, 5 / 26 US5, 26, 26D US10B, 10B / 26, US15, 15A, 19	10	50	19.40 23.60
 SDLPIN not shown to size	SDLPIN	1 1/8" Long Extension Pin for SDL16 Privacy Function. To be used for 1 3/4" door thickness.	Zinc	1	1	0.60
	SDL17	Passage Sliding Door Lock Comparable to Quality No. 100	US3 US5, 26, 26D US10B, 19 US15A, 15 US3 / 26	10	50	14.90 18.60
	STRKSDL	Strike for Privacy SDL Packed with 2 Screws	US3, 5, 10B, US26, 26D, US15, 15A	10	50	2.70

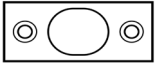
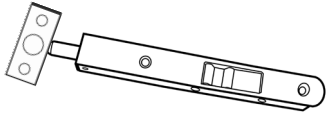
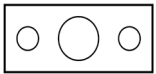
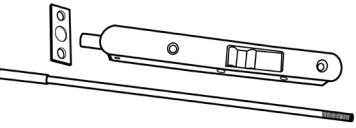
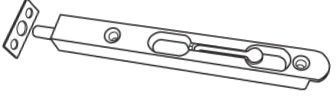
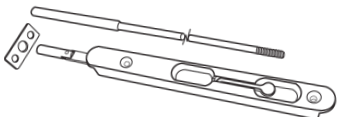
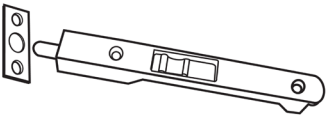
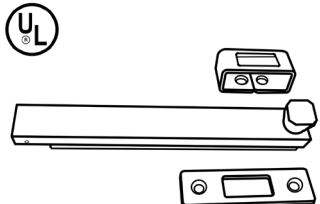
SLIDING DOOR LOCKS

ILLUSTRATION	ITEM NO	DESCRIPTION	FINISH	INNER QTY	MASTER QTY	LIST PRICE EACH
 <p>NEW ITEM</p> <p>With EASY POP-UP FINGER PULL</p>	18SDLR	Privacy Sliding Door Lock 2 3/8" Backset 1 3/8" to 1 3/4" Door Thickness	US15	1	24	\$49.00
			US10B			51.00
			US26			49.00
			US26D			49.00
			US26D			49.00
 <p>NEW ITEM</p> <p>With EASY POP-UP FINGER PULL</p>	20SDLR	Privacy Sliding Door Lock 2 3/4" Backset 1 3/8" to 1 3/4" Door Thickness	US15	1	24	47.00
			US10B			49.00
			US26			47.00
			US26D			47.00
			US26D			47.00
 <p>NEW ITEM</p> <p>With EASY POP-UP FINGER PULL</p>	14SDLR	Passage Sliding Door Lock 2 3/8" Backset 1 3/8" to 1 3/4" Door Thickness	US15	1	24	47.00
			US10B			49.00
			US26			47.00
			US26D			47.00
			US26D			47.00
 <p>NEW ITEM</p> <p>With EASY POP-UP FINGER PULL</p>	30SDLR	Passage Sliding Door Lock 2 3/4" Backset 1 3/8" to 1 3/4" Door Thickness	US15	1	24	56.00
			US10B			49.00
			US26			47.00
			US26D			47.00
			US26D			47.00
	RSDL20	Privacy Sliding Door Lock 1 3/8" Door Thickness	US10B, 3, 5, US15, 15A, US19, 26, 26D	10	50	45.40
	134RSDL20	Privacy Sliding Door Lock 1 3/4" Door Thickness	US10B, 3, 5, US15, 15A, US19, 26, 26D	10	50	52.00
	RSDL40	Dummy Sliding Door Lock 1 3/8" Door Thickness	US10B, 3, 5, US15, 15A, US19, 26, 26D	10	50	25.80
	134RSDL40	Dummy Sliding Door Lock 1 3/4" Door Thickness	US10B, 3, 5, US15, 15A, US19, 26, 26D	10	50	29.80


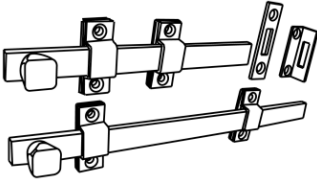

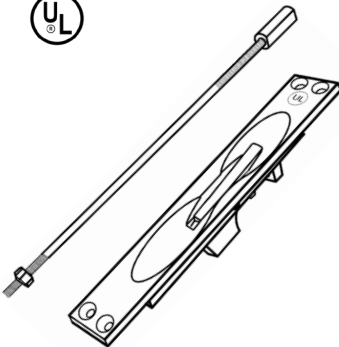
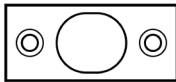


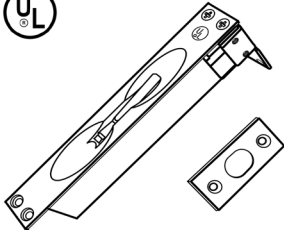
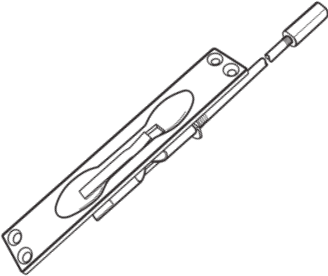
SECURITY BOLTS

ILLUSTRATION	ITEM NO	DESCRIPTION	FINISH	INNER QTY	MASTER QTY	LIST PRICE EACH
	DDSB4	Solid Brass 4" Decorative Dutch Door Bolt Packed With Mortise and Universal Strikes.	US3	10	60	\$43.80
			US26, 10B			48.00
			US15A, 15, 5			48.00
	DDSB8	Solid Brass 8" Decorative Dutch Door Bolt Packed With Mortise and Universal Strikes.	US3	10	60	53.90
			US26, 10B			59.20
			US15A, 15, 5			59.20
	DDSB12	Solid Brass 12" Decorative Dutch Door Bolt Packed With Mortise and Universal Strikes.	US3	10	60	74.10
			US26, 10B			81.50
			US15A, 15, 5			81.50
	DDSB18	Solid Brass 18" Decorative Dutch Door Bolt Packed With Mortise and Universal Strikes.	US3	10	60	92.20
			US26, 10B			101.40
			US15A, 15, 5			101.40
DDSB24	Solid Brass 24" Decorative Dutch Door Bolt Packed With Mortise and Universal Strikes.	US3	10	60	114.40	
		US26, 10B			125.90	
		US15A, 15, 5			125.90	
	ANGSTRK	Angle Strike for Decorative Heavy Duty Surface Bolt	US3, 5, US26, 10B, US15, 15A	1	1	8.00
	SB873	3" Brass Surface Bolt, Poly Packed With Screws.	US3, 15, 26 US15A, 10B, 5	20	400	9.60 11.50
	SB874	4" Brass Surface Bolt, Poly Packed With Screws.	US3, 15, 26 US15A, 10B, 5	20	200	10.20 12.20
	SB876	6" Brass Surface Bolt, Poly Packed With Screws.	US3, 15, 26 US15A, 10B, 5	20	200	15.40 16.80
	SB8712	12" Brass Surface Bolt, Poly Packed With Screws.	US3, 15, 26 US15A, 10B, 5	10	100	31.40 34.60
		DCSB4	Decorative 4" Surface Bolt Included: Packed in Individual Poly-bagged with 2 Strikes and Screws. Comparable to IVES No. 043 Surface Bolt.	US3, 5, 10B, US15, 15A, US26, 26D	50	300
DCSB6		Decorative 6" Surface Bolt Included: Packed in Individual Poly-bagged with 2 Strikes and Screws. Comparable to IVES No. 043 Surface Bolt.	US3, 5, 10B, US15, 15A, US26, 26D	50	200	12.50
	MB85R	6" Solid Brass Flush Bolt Round End. 1" Throw ANSI / BHMA LO4201	US3	10	100	14.50
			US5, 10B, US26, 26D, US15, 15A	100	100	15.40
	MB86S	6" Solid Brass Flush Bolt Square End. 1" Throw ANSI / BHMA LO4201	US3	10	100	14.50
			US5, 10B, US26, 26D, US15, 15A	10	100	15.40

SECURITY BOLTS

ILLUSTRATION	ITEM NO	DESCRIPTION	FINISH	INNER QTY	MASTER QTY	LIST PRICE EACH
	STRKMB85R	Strike for MB85R and MB86S. Packed with 2 screws.	US3, 5, US15, 15A, US26, 26D	10	50	\$3.00
	FBG6	Solid Brass Single Route Flush Bolt Round End, Similar to (IVES #260) Size 7"	US3, 5, US26, 26D, US15, 15A	10	100	11.00
			US4, 10B	10	100	13.80
	STRKFBG6	Strike for FBG6 and FBGEX12 Packed with 2 screws	US3, 5, 10B, US26, 26D, US15, 15A	10	100	2.70
	FBGEX12	Solid Brass Single Route Extension Flush Bolt, 18" Rod, Size 7 3/8" Round Both Ends.	US3, 5, US26, 26D, US15, 15A	2	100	16.40 each
		SOLD PER PAIR ONLY PRICED EACH	US4, 10B	2	100	19.20 each
	FLPFB400	Flip Style Mortise Flush Bolt 7" L x 3/4" W; Throw: 11/16"; Strike: 1 1/2" L x 5/8" W	US3, 15, 26D	10	100	16.90
			US5, 10B, US15A, 26			19.50
	EXTFB-1	Flip Style Mortise Flush Bolt with 18" Extension Rod 7 7/16" L x 3/4" W; Throw: 11/16"; Strike: 1 1/2" L x 5/8" W	US3, 15, 26D	2	100	20.50 each
		SOLD PER PAIR ONLY PRICED EACH	US5, 10B, US15A, 26	2	100	22.50 each
	ZDFB800	Solid One Piece Heavy Construction, Diecast Base, Single Route Flush bolt, Round End. Size 6 3/4"	US3	10	100	11.50
			US5, 15, 10B, US26, 26D	10	100	12.00
	SBUL8	UL Listed 8" Surface Bolt. Features Tamper-Resistant Mounting. Concealed Screw, Steel Construction. Bolt Throw - 1", Width 1", Projection 1 5/8", Length 8" Comparable to IVES #361	US26D	1	36	35.10

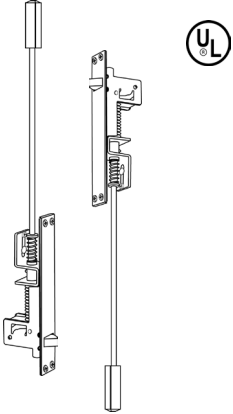
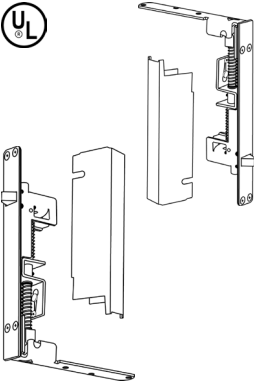
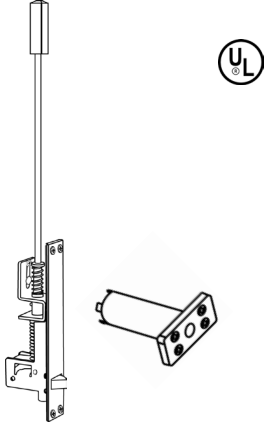
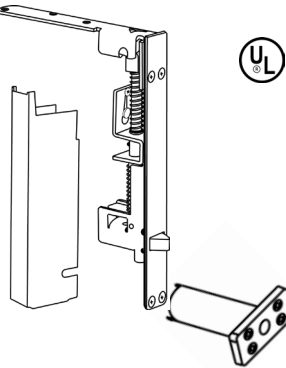
SECURITY BOLTS

ILLUSTRATION	ITEM NO	DESCRIPTION	FINISH	INNER QTY	MASTER QTY	LIST PRICE EACH
 	ESBUL50	UL-Listed 8" Surface Mounted Heavy Duty Surface Bolt. Steel Construction. Bolt Throw 1", Width 3/4", Length 8", Projection 1 5/16". Packed with Mortise and Universal Strikes. Comparable to IVES #453 ANSI / BHMA A156.16, L84161	US26D	1	50	\$28.10
	ESBUL12	12" Length, Same Specs as Above	US26D	1	50	35.90
 	MF6341	UL-Listed Solid Brass Lever Extension Flush Bolt. Commercial Type, 1" x 6 3/4", 12" Extension, 3/4" Throw. New Extruded Brass Design. ANSI / BHMA A156.6, L14081	US26D,3 US10, 10B, US4, 5, 26, US15, 15A, 19, Almond,White	2	50	36.40 each
	FBROD-12	12" Extended Rod for MF6341		1	1	6.00
	FBROD-18	18" Extended Rod for MF6341		1	1	6.00
	FBROD-24	24" Extended Rod for MF6341		1	1	6.00
	FBROD-36	36" Extended Rod for MF6341		1	1	6.00
	FBROD-48	48" Extended Rod for MF6341		1	1	12.00
 	STRKMF	Strike for MF6341 Packed with 2 screws in a nylon bag	US3, 10B, US15,US26, US26D	1	1	2.80
 	WF6341	UL-Listed Solid Brass Lever Extension Flush Bolt. Commercial Type, 1" x 6 3/4", 3/4" Throw. For Wood or Composite Doors. ANSI / BHMA A156.6, L14081	US3, 10B, US15, US26, US26D	1	50	45.90
	SBFB825	Stamped Brass Manual Flush Bolt. Commercial Type, 1" x 6 3/4", 12" Extension, 3/4" Throw. Non-Handed Extended Rods Available. See MF6341 (above).	US3 US10B, 15, 26D	2	50	26.40 each
						28.40 each

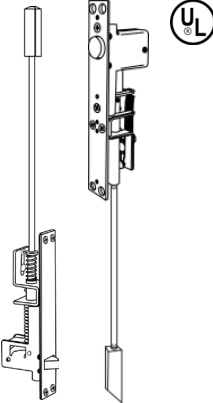
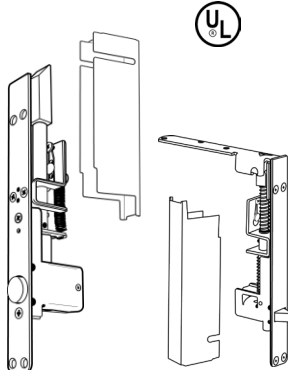
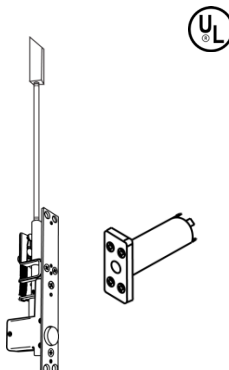
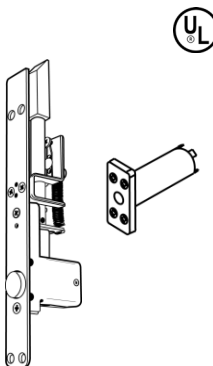
**SOLD PER PAIR ONLY
 PRICED EACH**

**SOLD PER PAIR ONLY
 PRICED EACH**

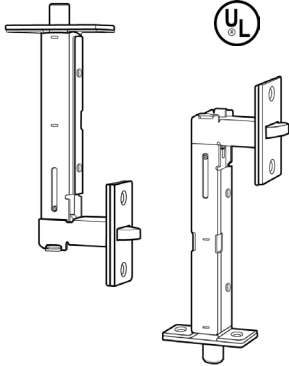
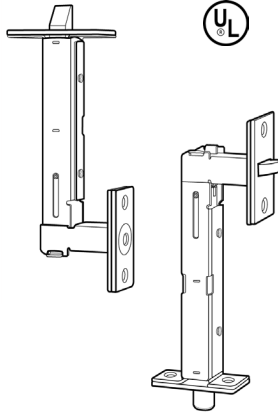
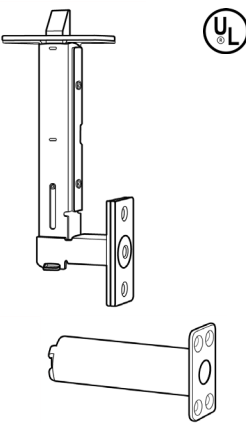
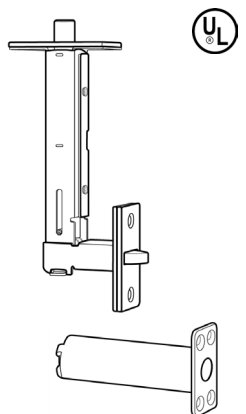
AUTO FLUSH BOLTS

ILLUSTRATION	ITEM NO / DESCRIPTION	SIZE / SPECS	FINISH	INNER QTY	MASTER QTY	LIST PRICE EACH
	AUTOFLM1 METAL DOOR AUTOMATIC FLUSH BOLTS Includes 2 Automatic Flush Bolts (Self-Latching Top & Bottom Combination)	Face Plate: 1" x 6 3/4" Bolt Head: 1/2" Square Bolt Throw: 3/4" Fastener: #8 x 1" Material: Steel BHMA 4.4 Type 25	US3, 4, 10B, US15, 26, 26D	1 pair	12 pairs	\$202.60 sold per pair only
	AUTOFLW2 WOOD DOOR AUTOMATIC FLUSH BOLTS Includes 2 Automatic Flush Bolts (Self-Latching Top & Bottom Combination)	Face Plate: 1" x 8 1/2" Bolt Head: 1/2" Square Bolt Throw: 1" Fastener: #8 x 3/4" Material: Steel BHMA 4.4 Type 25	US3, 4, 10B, US15, 26, 26D	1 pair	12 pairs	223.40 sold per pair only
	AUXAUTOFLM1 METAL DOOR AUTOMATIC FLUSH BOLT, 1 Set Includes, 1 Auto Flush Bolt (Top) and 1 Auxiliary Fire Latch (Bottom)	<u>Auto Flush bolt:</u> Face Plate: 1" x 6 3/4" Bolt Head: 1/2" Square Bolt Throw: 3/4" Fastener: #8 x 1" Material: Steel <u>Auxiliary Latch:</u> Face Plate: 1" x 1 3/4" Body: 7/8" bore x 3 1/4" Deep	US3, 4, 10B, US15, 26, 26D	1 set	12 sets	191.40 per set
	AUXAUTOFLW2 WOOD DOOR AUTOMATIC FLUSH BOLT 1 Set Includes, 1 Auto Flush Bolt (Top) and 1 Auxiliary Fire Latch (Bottom)	<u>Auto Flush bolt:</u> Face Plate: 1" x 8 1/2" Bolt Head: 1/2" Square Bolt Throw: 1" Fastener: #8 x 3/4" Material: Steel <u>Auxiliary Latch:</u> Face Plate: 1" x 1 3/4" Body: 7/8" bore x 3 1/4" Deep	US3, 4, 10B, US15, 26, 26D	1 set	12 sets	191.40 per set


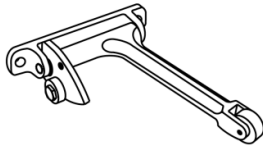

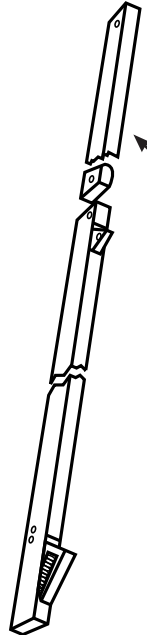
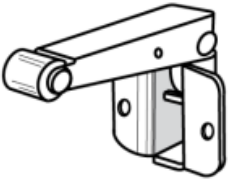
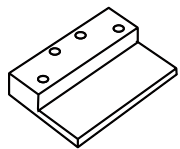
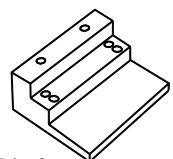
COMBINATION FLUSH BOLTS

ILLUSTRATION	ITEM NO / DESCRIPTION	SIZE / SPECS	FINISH	INNER QTY	MASTER QTY	LIST PRICE EACH
	<p>SLAUTOFLM3</p> <p>METAL DOOR SELF-LATCHING FLUSH BOLTS, Includes Self-Latching Bolt (Top) & Auto Flush Bolt (Bottom) Combination BHMA 4.4 Type 25</p>	<p><u>Self-Latching (top):</u> Face Plate: 1" x 6 3/4" Bolt Head: 1/2" Square Bolt Throw: 3/4" Fastener: #8 x 3/4" Material: Steel</p> <p><u>Auto Flush bolt (bottom):</u> Face Plate: 1" x 6 3/4" Bolt Head: 1/2" Square Bolt Throw: 3/4" Fastener: #8 x 1" Material: Steel</p>	US26D, US10B	1 set	12 sets	\$202.60 sold per set
	<p>SLAUTOFLW4</p> <p>WOOD DOOR SELF-LATCHING FLUSH BOLTS Includes Self-Latching bolt (Top) & Auto Flush Bolt (Bottom) Combination BHMA 4.4 Type 25</p>	<p><u>Self-Latching (top):</u> Face Plate: 1" x 8 1/2" Bolt Head: 1/2" Square Bolt Throw: 3/4" Fastener: #8 x 3/4" Material: Steel</p> <p><u>Auto Flush bolt (bottom):</u> Face Plate: 1" x 8 1/2" Bolt Head: 1/2" Square Bolt Throw: 1" Fastener: #8 x 3/4" Material: Steel</p>	US26D, US10B	1 set	12 sets	202.60 sold per set
	<p>AUXSLAFLM3</p> <p>METAL DOOR SELF-LATCHING FLUSH BOLTS Includes Self-Latching Bolt (Top) & Auxiliary Fire Latch (Bottom)</p>	<p><u>Self-Latching (top):</u> Face Plate: 1" x 6 3/4" Bolt Head: 1/2" Square Bolt Throw: 3/4" Fastener: #8 x 3/4" Material: Steel</p> <p><u>Auxiliary Latch:</u> Face Plate: 1" x 1 3/4" Body: 7/8" bore x 3 1/4" deep</p>	US26D, US10B	1 set	12 sets	191.40 sold per set
	<p>AUXSLAFLW4</p> <p>WOOD DOOR SELF-LATCHING FLUSH BOLTS Includes Self-Latching Bolt (Top) & Auxiliary Fire Latch (Bottom)</p>	<p><u>Self-Latching (top):</u> Face Plate: 1" x 8 1/2" Bolt Head: 1/2" Square Bolt Throw: 3/4" Fastener: #8 x 3/4" Material: Steel</p> <p><u>Auxiliary Latch:</u> Face Plate: 1" x 1 3/4" Body: 7/8" bore x 3 1/4" deep</p>	US26D, US10B	1 set	12 sets	191.40 sold per set


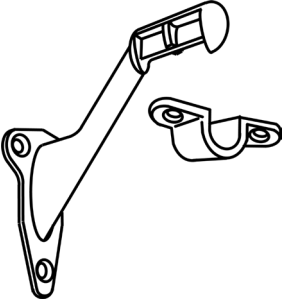
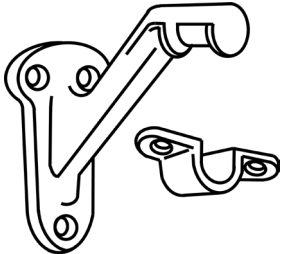
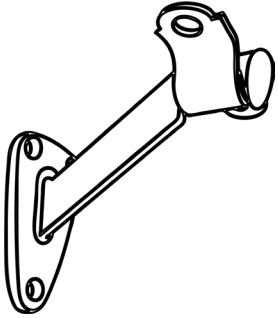
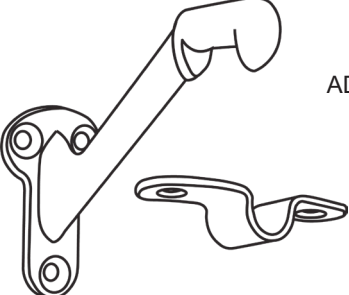
UNIVERSAL FLUSH BOLTS

ILLUSTRATION	ITEM NO	DESCRIPTION	SIZE	FINISH	BOX QTY	CASE QTY	LIST PRICE EACH
	UNIFB820	<p>METAL & WOOD DOOR UNIVERSAL FLUSH BOLTS Includes 2 Auto Flush Bolt (Top & Bottom) ANSI / BHMA A156.3-2008, Type 25</p>	<p>Auto Flush Bolt (top & bottom): Face Plate: 1 1/8" x 2 1/4" Bolt Head: 1/2" Round Bolt Throw: 3/4" Fastener: # 8 x 3/4"</p>	<p>US32D, US10B, US26, 3</p>	1 pair	24 pairs	\$222.60 sold per pair
	UNIFB780	<p>METAL & WOOD DOOR UNIVERSAL FLUSH BOLTS Includes Self-Latching bolt (Top) & Auto Flush Bolt (Bottom) Combination ANSI / BHMA A156.3-2008, Type 25</p>	<p>Self-Latching (top): Face Plate: 1 1/8" x 2 1/4" Bolt Head: 1/2" Square Bolt Throw: 3/4" Fastener: # 8 x 3/4"</p> <p>Auto Flush Bolt (bottom): Face Plate: 1 1/8" x 2 1/4" Bolt Head: 1/2" Round Bolt Throw: 3/4" Fastener: # 8 x 3/4"</p>	US32D	1 pair	24 pairs	222.60 sold per pair
	UNIFB930	<p>METAL & WOOD DOOR UNIVERSAL FLUSH BOLTS Includes Self-Latching Bolt (Top) & Fire Latch Bolt (Bottom) Combination ANSI / BHMA A156.3-2008, Type 25</p>	<p>Self-Latching (top): Face Plate: 1 1/8" x 2 1/4" Bolt Head: 1/2" Square Bolt Throw: 3/4" Fastener: # 8 x 3/4"</p> <p>Auxiliary Latch (bottom): Face Plate: 1" x 1 3/4" Body: 7/8" bore x 3"</p>	<p>US32D, US10B, US26, 3</p>	1 pair	24 pairs	222.60 sold per pair
	UNIFB540	<p>METAL & WOOD DOOR UNIVERSAL FLUSH BOLTS Includes an Auto Flush Bolt (top) & Fire Latch Bolt (bottom) Combination ANSI / BHMA A156.3-2008, Type 25</p>	<p>Self-Latching (top): Face Plate: 1" x 8 1/2" Bolt Head: 1/2" Square Bolt Throw: 3/4" Fastener: # 8 x 3/4"</p> <p>Auxiliary Latch (bottom): Face Plate: 1" x 1 3/4" Body: 7/8" bore x 3"</p>	US32D	1 pair	24 pairs	222.60 sold per pair

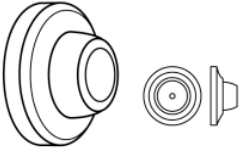
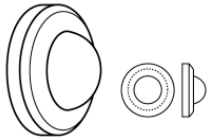
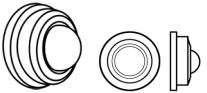
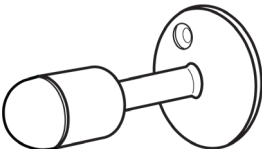
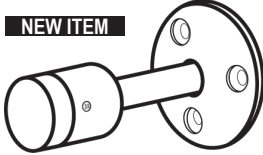

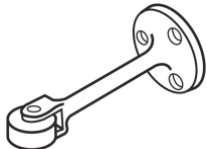


DOOR COORDINATORS

ILLUSTRATION	ITEM NO	DESCRIPTION	FINISH	INNER QTY	MASTER QTY	LIST PRICE EACH
 			US26D			\$95.90
	FRGCO65	UL-Gravity Coordinator Projection: 7" (FRGCO65)	US10B, 3, US4, 10	1	20	105.20
	FRGCO85	UL-Gravity Coordinator Projection: 8" (FRGCO85) BHMA: 4.1.1 Type 25				151.90
 	DORCO1	Coordinators Frame openings: 60" and 72" BHMA 4.1.1 Type 21	Black Prime Coat, Alum	1	10	129.90
	FB1858	Filler Bar 18 5/8" for up to 72" door				26.10
	FB3258	Filler Bar 32 5/8" for up to 96" door	Black Prime Coat, Alum	1	50	41.60
	CBO-1	Carry Bar Plate: 1 3/4" x 2 1/4" Fasteners: 1/4" x 20 Sex Bolts Material: Steel	Black Prime Coat, Alum	1	100	41.60
 	MB4250 MB4750	Mounting Brackets Jamb Depth: 4 1/4" Stop Height: 5/8" Stop Width: 2 1/4" and over Mounting Brackets Jamb Depth: 4 3/4" Stop Height: 5/8" Stop Width: 7/8" to 2 1/4" and over	Black Prime Coat	1 pair	20 pair	56.10 sold per pair only

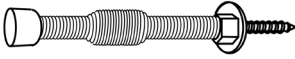
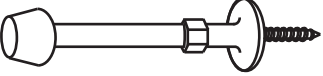
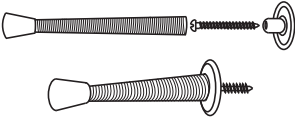

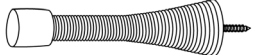





HANDRAIL BRACKETS

ILLUSTRATION	ITEM NO	DESCRIPTION	FINISH	INNER QTY	MASTER QTY	LIST PRICE EACH
	JUH28	Jumbo Heavy Duty Handrail Bracket Packed with Mounting Screws Height: 2 7/8", Width: 2 1/8" Projection: 2 1/8"	US3, 5, 26, US15, 15A US10B	50	100	\$9.80
	HB96	Hand Rail Bracket, Poly-bagged with Screws. Height: 2 7/8", Width: 1 3/16" Projection: 2 7/8"	US3, 5, 26 US15, 15A, US26D, 10B	50	200	4.80
	HDHB40	Heavy Duty Cast Aluminum Handrail Bracket Comparable to IVES #059 Height: 3 1/4", Width: 1 7/16" Projection: 3 1/4"	US3, 5, 26 US15, 15A, 26D US10B	50	200	5.60 6.20 7.20
	DMHB83	Heavy Duty Handrail Bracket. Poly-bagged with Screws. Height: 2 3/4", Width: 1 3/8" Projection: 3 1/4"	US3, 26D, US15, 15A US10B	50	100	9.30 10.20
	ADAHB-4	Heavy Duty Cast Handrail Bracket Height: 3 1/2", Width: 1 5/16" Projection: 4" American with Disabilities Act (ADA) compliant	US3, 5, 15, US15A, 26, US26D, 10B	50	250	6.50

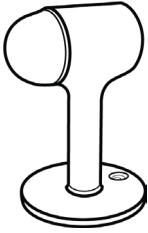
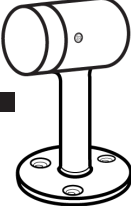
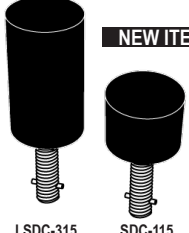
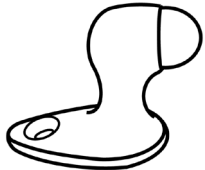




WALL DOOR STOPS / BUMPERS

ILLUSTRATION	ITEM NO	DESCRIPTION	FINISH	INNER QTY	MASTER QTY	LIST PRICE EACH
	WB26	Solid Brass or Stainless Steel (US32D) Concave Wall Stop, 2 1/2" Diameter, 1 3/16" Projection, Toggle & RP. ANSI / BHMA 156.16 L12251	US32D	50	300	\$4.40
			US3, 26, US4, 5, 15A, US10, 10B, 19	50	300	6.00
	CONWB42	Solid Brass or Stainless Steel (US32D) Convex Wall Stop, 2 1/2" Diameter, 1 3/16" Projection, Toggle & RP. ANSI / BHMA 156.16 L12101	US32D	50	300	4.40
			US3, 10B, 26, US10, 4, 5	50	300	6.00
	SWB	Solid Brass Convex Wall Stop, 1" Diameter, 1/2" Projection Concealed Mounting. Comparable to IVES #404, ANSI / BHMA L02101	US26, 26D, US10B, 4, 3, US15, 15A, 19	50	500	6.10
	CWS18	Commercial Grade Wall Door Stop For High Traffic Conditions. Solid cast brass or bronze heavy duty Construction. Includes mounting hardware for all wall construction applications. Overall projection of unit is 3 5/8", Base Diameter is 2 1/4". ANSI: A156.16, BHMA, L12021, FED SPEC: 1320E	US3, 26D			35.20
			US10B	10	50	38.90
	4CWS-21	Commercial Grade Wall Door Stop For High Traffic Conditions. Solid cast brass. Includes mounting hardware for all wall construction applications. Overall projection of unit is 3 5/8", Base Diameter is 2 1/8". ANSI: A156.16, BHMA, L12021, FED SPEC: 1320E	US26D			33.20
			US10B	10	100	46.20
	CURB19	Solid Brass Curved Roller Stop ANSI / BHMA 156.16, L02211 Height (Base): 1 3/4", Width (Base): 2 1/4" Projection: 2 3/4"	US3, 4, 10B, US26D	10	100	39.70
	SRB82	Solid Brass Straight Roller Stop ANSI / BHMA 156.16, L02191 Base: 2" Diameter Projection: 4 1/4"	US3, 4, 10B, US26D	10	100	37.50
	SBRS3	3" Solid Brass Rigid Door Stop, Packed with Both White and Black Rubber Tips Comparable to IVES #64.	US3, 26, 26D US15, 15A	50	200	10.60
			US10B			11.70
	SBRS4	4" Solid Brass Rigid Door Stop, Packed with Both White and Black Rubber Tips Comparable to IVES #64.	US3, 26D			12.90
			US15, 15A US10B	50	200	14.30


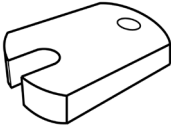
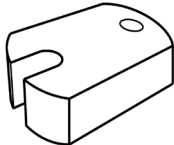

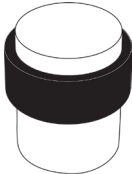
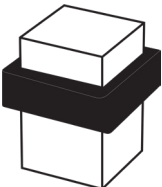
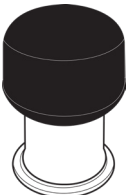
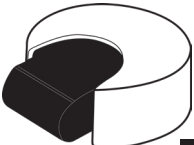
WALL DOOR STOPS / BUMPERS

ILLUSTRATION	ITEM NO	DESCRIPTION	FINISH	INNER QTY	MASTER QTY	LIST PRICE EACH
	FS89	3" Flexible Door Stop With Fixed Screw. Diecast Base, One Piece Style.	US3, 5, 26,	100	1000	\$1.00
			US15, 15A, 10B			1.30
	RS92	3" Cast Rigid Door Stop With Molded Screw.	US3, 5, 26	100	1000	2.00
			US26D, 10B, US15, 15A			2.20
	SOFS3	3" Heavy Duty Flexible Snap On Door Stop 3 Pieces, Steel Base. Comparable to IVES #060.	US3, 5, 26	100	1000	1.30
			US15, 15A, US10B			1.50
	HDFS3	3 1/8" Heavy Duty Flexible Door Stop with Screw and Metal Base.	US3, 5, 26 US15, 15A, US10B	100	600	1.20
	JFS13	3 3/4" Heavy Duty Jumbo Spring Door Stop with Screw and Metal Base.	US15, 15A, US10B US3, 5, 26	100	600	1.20
	JRS34	4" Diecast Jumbo Rigid Door Stop with Molded Screw.	US3, 5, 26,	100	500	4.10
			US15, 15A US10B			4.80
 NEW ITEM	WSPR-02	Stainless Steel, Wall Door Stop Also can be Used as Coat Hook Projection: 3 1/8" Fastener: 4 x 1" Wood Screw with Plastic Plug	US32D	10	50	23.60
			US32			25.80
 NEW ITEM	WSNP-04	Stainless Steel, Wall Door Stop Projection: 2 7/8" Fastener: 10 x 1 1/2" Wood Screw with Plastic Plug	US32D	10	50	23.60
			US32			25.80
 NEW ITEM	WSPS-01	Stainless Steel, Wall Door Stop Also can be Used as Coat Hook Projection: 3 1/8" Fastener: 6 x 1" Wood Screw with Plastic Plug	US32D	10	50	23.60
			US32			25.80
 NEW ITEM	WBC-06	Stainless Steel, Wall Door Stop Projection: 19/16" Fastener: 8 x 1" Wood Screw with Plastic Plug	US32D	10	50	23.60
			US32			25.80

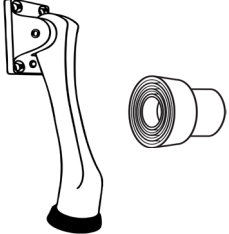
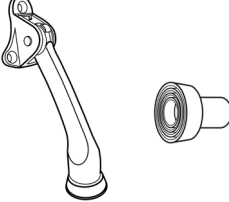
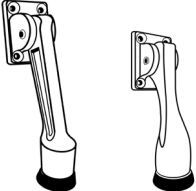

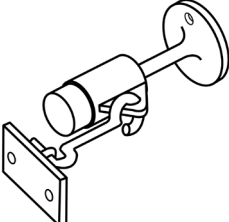
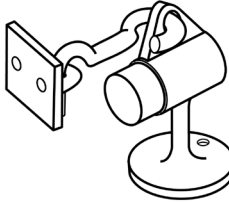
FLOOR DOOR STOPS

ILLUSTRATION	ITEM NO	DESCRIPTION	FINISH	INNER QTY	MASTER QTY	LIST PRICE EACH
	CFS20	Commercial Grade Floor Door Stop For High Traffic Conditions. Solid cast brass or bronze heavy duty construction. Includes mounting hardware for all floor construction applications. Overall projection of unit is 3" Base Diameter: 2 1/2". ANSI: A156.16, BHMA, L12131, FED SPEC: 1328E	US3, 26D	10	50	\$35.20
			US10B			38.90
	3CFS-85	Commercial Grade Floor Door Stop For High Traffic Conditions. Solid cast brass. Includes mounting hardware for all floor construction applications. Overall projection of unit is 3 1/8", Base Diameter: 2 1/4". ANSI: A156.16, BHMA, L12131, FED SPEC: 1328E	US26D	10	100	34.20
			US10B			46.20
	LSDC-315	Security Door Stops designed for high traffic, abusive and security applications. Flame resistant, resilient material molded around a heavy-duty stud. Stud Dimensions: 5/8" x 2 1/2" Bumpers: (LSDC-315) 2" dia. x 3 1/2" h (SDC-115) 2" dia. x 1 1/2" h	Black	10	50	43.70
	SDC-115					34.40
	GS118	Goose Neck Cast Floor Stop 2 1/8" High, Base: 2 5/8" x 1 5/8". Combo Packed with (1) 5/16" Hanger Bolt & (1) #14 x 1" Wood Screw, 5/16" x 2 1/2" Stud with Expansion Shield and (1) 1/4" - 20 x 1" Machine Screw and Anchor. ANSI / BHMA 156.16	US26D, 3	10	50	29.30
			US4, 26, US10, 10B, US15, 15A			32.10
	GS119	Goose Neck Cast Floor Stop, 2 7/8" High, Base: 2 3/4" x 1 1/2". Combo Packed with (1) 5/16" Hanger Bolt & (1) #14 x 1" Wood screw, 5/16" x 2 1/2" Stud with Expansion Shield and (1) 1/4" - 20 x 1" Machine Screw and Anchor. ANSI / BHMA 156.16	US26D, 3	10	40	32.80
			US4, 26, US10, 10B, US15, 15A			36.00
	SMGNS-1	Small Goose Neck Floor Stop Door Stopper for Light to Medium Duty Doors Height: 1 1/4"; Base: 1 1/8"; Projection: 1 1/4" Wood screw, #10 x 1 3/16" Individually Poly-bagged	US3, 15, 26, 26D US5, 10B, 15A	10	200	15.30
	DSHP18	Solid Brass Dome Stop High Profile. (1 3/4" Diameter, 3/8" Thick Base) Projection: 1 3/8" ANSI / BHMA 156.6, LO2141	US3, 4, 5, 26, US26D, 15, 15A, US10, 10B	10	200	11.10
			US32D			17.20
	DSL4	Solid Brass Dome Stop Low Profile. (1 3/4" Diameter, 1/8" Thick Base) Projection: 1 1/8" ANSI / BHMA 156.6, LO2141	US3, 4, 5, 26, US26D, 15, 15A, US10, 10B	10	200	9.70
			US32D			15.00

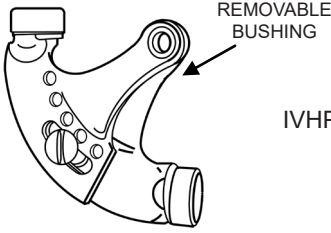
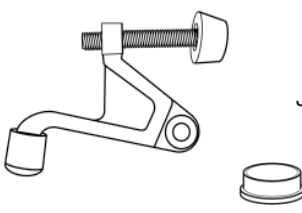
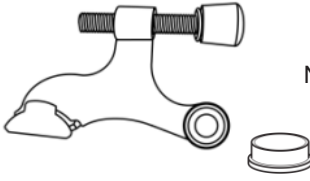
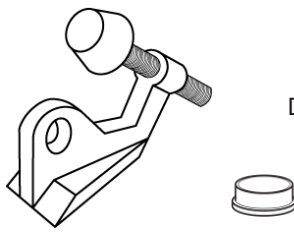
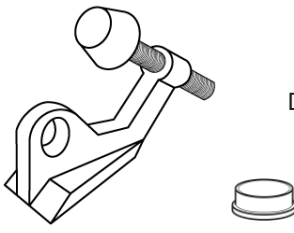
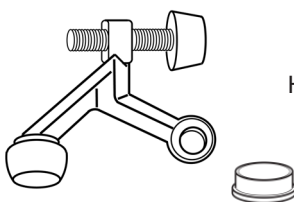
FLOOR DOOR STOPS

ILLUSTRATION	ITEM NO	DESCRIPTION	FINISH	INNER QTY	MASTER QTY	LIST PRICE EACH
	UNDS14	Heavy Duty Cast Brass Dome Stop designed for both low and high profiles. Meets ANSI / BHMA 156.1, L12161 when used as DSLP4. Fastener : #14 x 1 1/2" wood screw with plastic shield and 1/4" - 20 x 3/4" machine screw with lead anchor Base Diameter: 1 3/4" , Base: 1/4", Height: 1 5/8"	US3, 4, 5, 10, US10B, 26, US26D, 15	10	100	\$15.40
	RIS375	Riser For Dome Stops With 1 3/4" Screws, 3/8" Thick.	US26D	50	400	6.00
	RIS625	Riser For Dome Stops With 1 3/4" Screws, 5/8" Thick.	US26D	50	250	6.00
	NEWRIS3750	Riser For Dome Stops With 2" Screws, 3/8" Thick. ANSI / BHMA 156.1	US3, 4, 5, US26, 26D, US10, 10B, US15, 15A	10	100	6.10
	EUS-03	Stainless Steel, Cylindrical Floor Mount Projection: 1 9/16" Fastener: #4 x 1 1/2" Wood Screw with Plastic Plug	US32D US32	10	50	23.60 25.80
	EUS-05	Stainless Steel, Square Floor Mount Projection: 1 9/16" Fastener: #4 x 1 1/2" Wood Screw with Plastic Plug	US32D US32	10	50	27.00 29.00
	EUS-07	Stainless Steel, Floor Mount or Wall Mount Projection: 2" Fastener: #8 x 1 1/4" Wood Screw with Plastic Plug	US32D US32	10	50	23.60 25.80
	DSFT-5	Stainless Steel, Floor Mount Projection: 1 3/16" Fastener: #10 x 1 1/4" Wood Screw with Plastic Plug	US32D US32	10	50	25.80 25.80

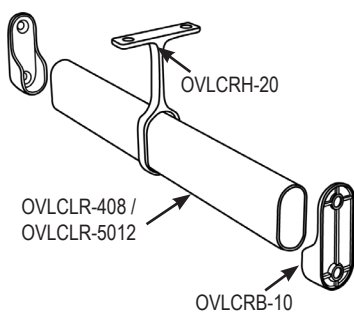
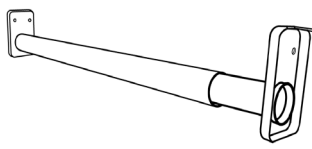
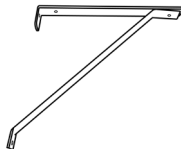
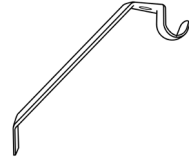
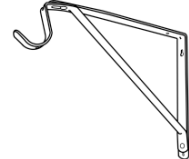
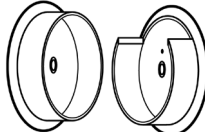
DOOR HOLDER / STOPS

ILLUSTRATION	ITEM NO	DESCRIPTION	FINISH	INNER QTY	MASTER QTY	LIST PRICE EACH
	SBDH41300	5" Solid Brass Kick Down Holder, Base: 1 1/4" x 2". ANSI / BHMA 156.16 L11391	US26D US3, 4, 26, US10,10B	10	60	\$38.50 42.40
	RUBSBDH	Vinyl Rubber Stop with Concentric Circular Groove Design. For use with SBDH5 or SBDH41300 door stops	Grey	1	1	1.20
	DH25	4" Zinc Diecast Kick Down Door Holder. ANSI / BHMA 156.16 L11382	US3, 26, 26D, DURO	50	200	10.00
	RUBDH25	Vinyl Rubber Stop with Concentric Circular Groove Design For use with DH25	Grey	1	1	1.30
	IRODH-4	4" Cast Iron Kick Down Door Holder	ALUM, DURO	10	100	16.60
	IRODH-5	5" Cast Iron Kick Down Door Holder	ALUM, DURO	10	100	17.20
	SBDH5	5" Solid Brass Kick Down Door Holder, Base: 7/8" x 1 3/4". Comparable to IVES #455 ANSI / BHMA 156.16 L11382	US3, US26, 26D, US10, 10B	10	100	26.50
	HDWDS99	Heavy Duty Commercial Grade Wall Door Stop for high traffic conditions. Solid cast brass or bronze heavy duty construction. Includes mounting hardware for all wall construction applications. Overall projection of unit is 3 5/8", Base Diameter is 2 1/4". ANSI: A156.16, BHMA, L11351, FED SPEC: 1321E	US3, 26D, 10B	10	50	45.50
	HDFDSH66	Heavy Duty Commercial Grade Floor Door Stop for high Traffic Conditions. Solid cast brass or bronze heavy duty construction. Includes mounting hardware for all floor construction applications. Overall projection of unit is 3 5/8", Base Diameter is 2 1/4". ANSI: A156.16, BHMA, L11371, FED SPEC: 1329E	US3, 10B, US26D	10	50	45.50

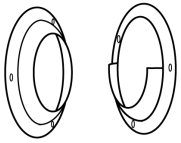
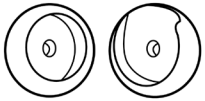
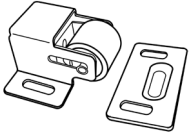
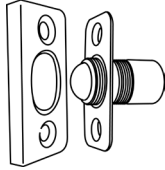
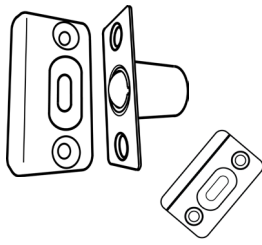
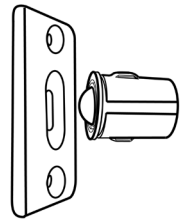
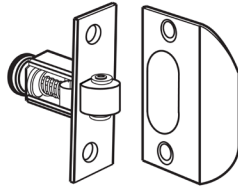
HINGE PIN DOOR STOPS

ILLUSTRATION	ITEM NO	DESCRIPTION	FINISH	INNER QTY	MASTER QTY	LIST PRICE EACH
	IVHP23	<p>Jumbo Heavy Duty Hinge Pin Stop with Removable Bushing, Adjustable Angle Setting. For Commercial Grade Hinges, 1/4" or 5/16" Diameter Hinge Pins. For hinge sizes: 3 1/2" x 3 1/2", 4" x 4" and 4 1/2" x 4 1/2" Individually Poly Packed. Comparable to IVES #69, 69F.</p>	US3, 5, 10B, US26, 26D, US15, 15A	50	500	\$4.10
	JHP11	<p>Jumbo Hinge Pin Door Stop. Poly-bagged with Nylon Bushing Recommended for commercial and residential applications For hinge sizes: 3 1/2" x 3 1/2", 4" x 4" and 4 1/2" x 4 1/2"</p>	US3, 5, 26 US15, 15A, 10B	50	500	2.60
	NHP78	<p>Deluxe Hinge Pin Door Stop. Poly-bagged with Nylon Bushing Recommended for residential use. For hinge sizes: 3 1/2" x 3 1/2" and 4" x 4"</p>	US3, 5, 26 US15, 15A, 10B	50	500	2.90
	DSL81	<p>Light Duty Door Protector Hinge Pin Stop with Nylon Bushing. Recommended for Residential Hinges. For hinge sizes: 3 1/2" x 3 1/2" and 4" x 4"</p>	US3, 5, 10B, US15, 15A, US26, 26D	50	500	2.50
	DSHD105	<p>Heavy Duty Door Protector Hinge Pin Stop with Nylon Bushing. Recommended for Commercial Applications. For hinge sizes: 3 1/2" x 3 1/2", 4" x 4" and 4 1/2" x 4 1/2"</p>	US3, 5, 10B, US15, 15A, US26, 26D	25	250	5.60
	HP95	<p>Hinge Pin Door Stop. Poly-bagged with Nylon Bushing Recommended for residential use. For hinge sizes: 3 1/2" x 3 1/2" and 4" x 4"</p>	US3, 5, 26, US15A, 15, US10B	100	1000	1.90

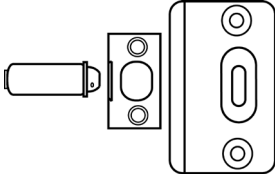
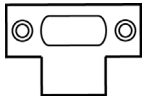
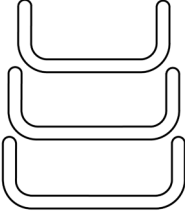
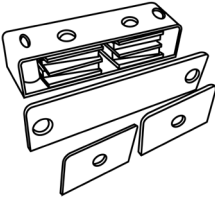
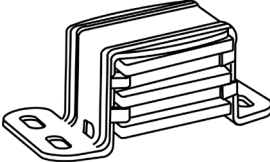
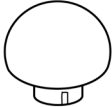



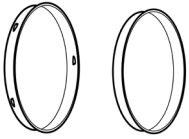
CLOSET HARDWARE

ILLUSTRATION	ITEM NO	DESCRIPTION	FINISH	INNER QTY	MASTER QTY	LIST PRICE EACH
 <p>OVLCLR-408 / OVLCLR-5012</p> <p>OVLCRH-20</p> <p>OVLCRB-10</p> <p>NEW ITEM</p>		8' Oval Closet Rod Dimensions: 5/8" x 1 3/16" Material: Steel	US26	1	10	\$27.20
	OVLCLR-5012	12' Oval Closet Rod Dimensions: 5/8" x 1 3/16" Material: Steel	US26	1	10	41.00
	OVLCRB-10	Closet Rod Bracket Dimensions: 3/4" x 1 7/8", 1 1/4" CTC Fasteners: #6 x 1" Wood Screws Material: Zinc Alloy Packed 2 pieces per nylon bag with screws	US26	50	1000	2.70
	OVLCRH-20	Closet Rod Holder Dimensions: 1 1/4" CTC Fasteners: #6 x 1" Wood Screws Material: Zinc Alloy Packed 1 piece per nylon bag with screws	US26	50	500	2.30
	ACR1830	18" to 30" Adjustable Closet Rod				7.70
	ACR3048	30" to 48" Adjustable Closet Rod				10.20
	ACR4872	48" to 72" Adjustable Closet Rod	Bright Zinc	1	10	13.90
	ACR7296	72" to 96" Adjustable Closet Rod				18.20
	ACR72120	72" to 120" Adjustable Closet Rod				23.60
	ACR96150	96" to 150" Adjustable Closet Rod				27.80
ASR-41	Adjustable Shelf and Rod Support. Supports Shelves Up to 14" Wide and Rods up to 1 1/2" Dia. Screws Packed Individually with Bracket.	White				40
			CASE QUANTITY ONLY			
	ADJ42	Adjustable Shelf Support Only. Supports Shelves up to 14" wide. Screws Packed Individually with Bracket.	White	20	20	5.40
				CASE QUANTITY ONLY		
	SR27	Single Shelf & Rod Support. Supports Shelves Up to 14" Wide and Rods up to 1 1/2" Dia. Screws Packed Individually with Bracket.	White	80	80	3.70
				CASE QUANTITY ONLY		
	FSR123	Heavy Duty Shelf & Rod Support. Supports Shelves Up to 14" Wide and Rods up to 1 1/2" Dia. Screws Packed Individually with Bracket.	White	40	40	6.10
				CASE QUANTITY ONLY		
	PS99	Closet Pole Socket for 1 3/8" Pole, Nylon. Poly-bagged with Screws.	White	50	500	0.90

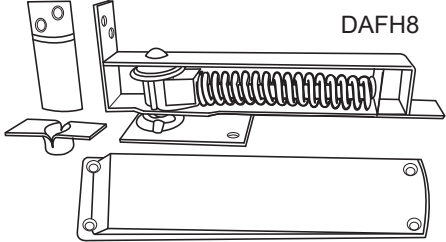
CLOSET HARDWARE

ILLUSTRATION	ITEM NO	DESCRIPTION	FINISH	INNER QTY	MASTER QTY	LIST PRICE EACH
	MPS3	Steel Closet Pole Socket for 1 3/8" Pole. Poly-bagged with Screws.	US3, 26 US15, 10B	100	500	\$2.40
	WDPS 82	Wood Closet Pole Socket 1 3/8"	Wood	50	400	1.90
	RC88	Jumbo Roller Catch, Size 2" Poly-bagged with Screws. Strike Size: 1 1/4" x 7/8", Square Corner	US3, Zinc US10B	50	500	2.00 2.40
	SBBC58	Solid Brass Adjustable Ball Catch 1" x 2 1/8", 1/4" Radius Latch Face & Strike Strike Size: 1 3/8" x 2 1/8", Round Corner	US3 US5, 10B, US15, 15A, US26, 26D	20	200	10.10 11.40
	BC97	Adjustable Ball Catch (2 1/4" x 1") with Full Lip Strike Plate RC Strike Size: 1 3/8" x 2 1/4", Round Corner	US3, 5, 10B, US15, 15A, US26, 26D	100	200	4.70
	STRKBC97	Full Lip Strike Plate Round Corner For BC97 and DIB1 Strike Size: 1 3/8" x 2 1/4", Round Corner	US3, 5, 10B, US15, 15A, US26, 26D	10	100	1.00
	DIB1	Adjustable Drive-In Ball Catch, Packed with Full Lip Strike, Round Corner, Poly-bagged with Screws. Strike Size: 1 3/8" x 2 1/4", Round Corner	US3, 5, 26 US26D, 15, US15A, 10B	100	200	4.20
	BLKDIB777	Adjustable Drive-In Ball Catch, Packed with Full Lip Strike, Round Corner, Poly-bagged with Screws. Strike Size: 1 3/8" x 2 1/4", Round Corner Bulk Packed				
	ARCT3350	Adjustable Roller Latch, Soft latching action. Special nylon roller for silent performance. Adjustable tension 4-17 lbs of holding power. Installs easily on thin doors. Includes brass full lip strike. Conforms to ANSI / BHMA A156.16 L27081 for brass and L87081 for steel. Dimensions: Face Plate: 2 1/4" x 7/8", Bore: 13/16" x 1 3/4" Strike: 2 1/4" x 1 3/4" Lip 1 13/16" to center	US3, 10B, 15, US26D	10	200	16.00


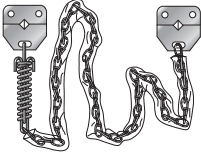
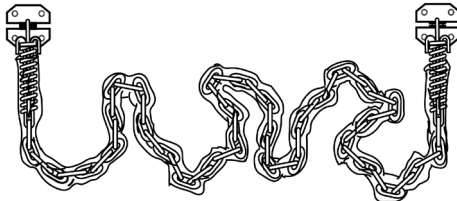
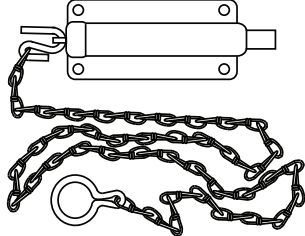
CLOSET HARDWARE

ILLUSTRATION	ITEM NO	DESCRIPTION	FINISH	INNER QTY	MASTER QTY	LIST PRICE EACH
	BULCAT11	Bullet Catch 1/2" Diameter x 1 1/8" Packaging: Individually poly-bagged with standard full lip round corner and square corner strikes. Square Corner Strike Size: 5/8" x 1 1/4" Optional T-strike: Part# TCAT-108	US3, 15	50	500	\$3.50
			US10B, 26, 5			3.90
	TCAT108	T-Strike For Bullet Catch Size: 7/8" x 2 1/4"	US3, 15, 10B, US26, 5	50	500	0.80
	WP300	3" Solid Brass Drawer Pull, 5/16" Dia. of Rod. Screws for 1 3/4" - 1 3/8" thick drawers or doors	US3, 26, 26D US10B	50	200	6.40 7.70
	WP350	3 1/2" Solid Brass Drawer Pull, 5/16" Dia. of Rod. Screws for 1 3/4" - 1 3/8" thick drawers or doors	US3, 26, 26D US10B			8.90 9.80
	WP400	4" Solid Brass Drawer Pull, 5/16" Dia. of Rod. Screws for 1 3/4" - 1 3/8" thick drawers or doors	US3, 26, 26D US10B	50	200	9.70 10.60
	HDMC3270	Heavy Duty Magnetic Catch. Dual triple pole. Self-aligning magnets for maximum pull. Surface or mortise mounted. Steel case. Individually packed with sheet metal screws and 3 strikes. Conforms to ANSI / BHMA A156.9 B43161 Dimensions: 3 1/8" Long x 1" Deep x 7/8" Thick Load Capacity: 14 lbs.	ALUM	50	200	\$13.90
	TPMC3230	Triple Pole Magnetic Catch. Self-aligning magnets for maximum pull. Adjustable. Steel case. Individually packed with sheet metal screws, 1 strike size. Conforms to ANSI / BHMA A156.9 Dimensions: 2 1/16" Long x 1 5/32" Deep x 7/8" Thick Load Capacity: 6 lbs.	ALUM	50	500	5.80
	BK14	Bi-Fold Ball Knob (Width: 1 1/4", Height: 1 3/8") Poly-bagged Individually with 1 5/8", 1 7/8" and 2" screws	US3, 5, 10B, US15, 15A, US26, 26D	20	200	4.10
	PLA2	Back Plates For BK14, Diameter 1 3/4".	US3, 5, 10B, US15, 15A, US26, 26D	20	200	2.10
	CH28	Coat and Hat Hook, Diecast Material	US3, 5, 26	50	1000	3.40
	CK130	Bi-Fold Concave Knob Beveled Edge (1") Screw, 1 3/8" Dia.	US3, 5, 26D	20	200	2.20
	DIFP218	Drive In Finger Pull (2 1/8" Diameter) without Nails	US3, 5, 26 US15, 15A, US26D, 10B	150	600	1.50 1.60
	FP98	Drive In Finger Pull (2 1/8" Diameter) with Nails	US3, 5, 26			150

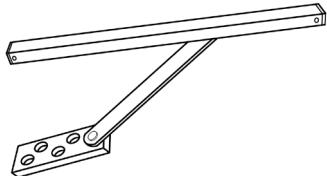
DOUBLE-ACTING FLOOR SPRING HINGE

ILLUSTRATION	ITEM NO	DESCRIPTION	FINISH	INNER QTY	MASTER QTY	LIST PRICE EACH
	DAFH8	ANSI / BHMALO4081 Heavy Duty Ball Bearing Type with 90° Hold Open. Door Range 1 1/8" – 1 3/4". Can Hold Doors up to 90 lbs.	US3, 5, 15, US26D, 10B	1	10	\$71.70

CRASH CHAIN AND BOLTS

	CCD30	Single Spring Crash Chain Door Guard, No Vinyl , 21 3/4" Chain	Zinc	10	120	\$4.40
	CDV24	Single Spring Crash Chain Door Guard, With Vinyl , 21 3/4" Chain	Zinc	10	120	4.80
	HDCDV-48	Super Heavy Duty Chain Door Stop with Vinyl Cover, Comparable to IVES #115. For Heavy Commercial Doors. ANSI / BHMA LO2222 Length: 33"	US26D	1	50	32.30
	CB6	24" Chain Bolt Hardened Steel, Supplement to a regular door lock for added security. Included: Packed in individual poly-bagged with strikes and screws.	Zinc Chromium	10	50	14.00

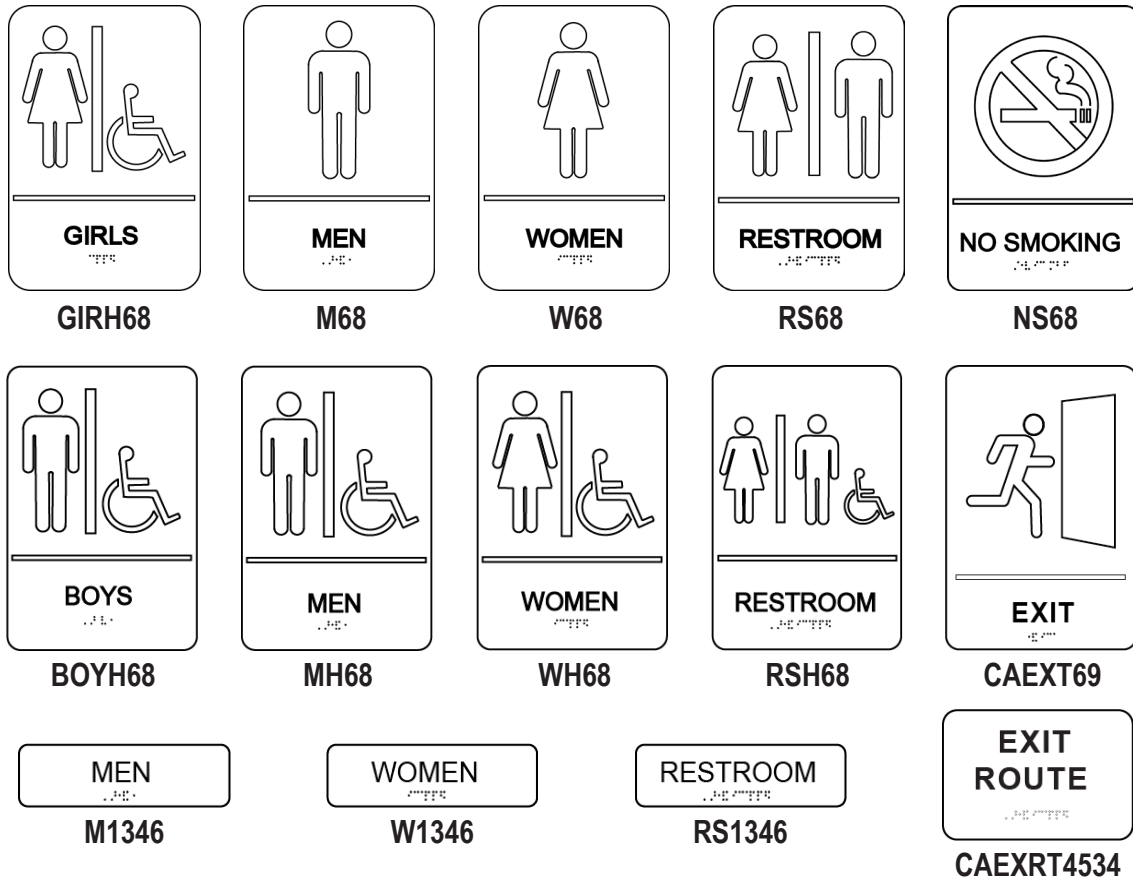
SURFACE OVERHEAD DOOR HOLDER AND STOPS

	CR552S	Surface Overhead Door Stop Only UL-listed SIZE 2, 23 1/16" - 27"	US26D			\$154.00
	CR553S	SIZE 3, 27 1/16" - 33"				
	CR554S	SIZE 4, 33 1/16" - 39"				
	CR555S	SIZE 5, 39 1/16" - 45"				
	CR552H	Surface Overhead Door Holder with Hold-Open SIZE 2, 23 1/16" - 27"	US32D	1	10	181.00
	CR553H	SIZE 3, 27 1/16" - 33"				
	CR554H	SIZE 4, 33 1/16" - 39"	NON-STOCK FINISHES			208.00
	CR555H	SIZE 5, 39 1/16" - 45"				

HANDICAP RESTROOM SIGNS (ADA) With BRAILLE

ITEM NO	DESCRIPTION	FINISH	INNER QTY	MASTER QTY	LIST PRICE EACH
M68	Men, with Braille, pictogram, text, 6" x 8"				
MH68	Men handicap, with Braille, pictogram, text, 6" x 8"				
BOYH68	Boys handicap, with Braille, pictogram, text, 6" x 8"				
W68	Women, with Braille, pictogram, text, 6" x 8"				
WH68	Women handicap, with Braille, pictogram, text, 6" x 8"				\$19.50
GIRH68	Girls handicap, with Braille, pictogram, text, 6" x 8"				
RS68	Unisex restroom, with Braille, pictogram, text, 6" x 8"	Blue or Black	10	100	
RSH68	Unisex handicap restroom, with Braille, pictogram, text 6" x 8"				
NS68	No smoking, with Braille, pictogram, text, 6" x 8"				
CAEXT69	Exit, with Braille, pictogram, text 6" x 9"				22.90
CAEXRT4534	Exit Route, with Braille, text 4" x 5 3/4"				
M1346	Men, with Braille, text 1 3/4" x 6"				
W1346	Women, with Braille, text 1 3/4" x 6"				11.50
RS1346	Restroom, with Braille, text 1 3/4" x 6"				

Prefix "BL" for Black When Ordering
20% Charge on Broken Boxes



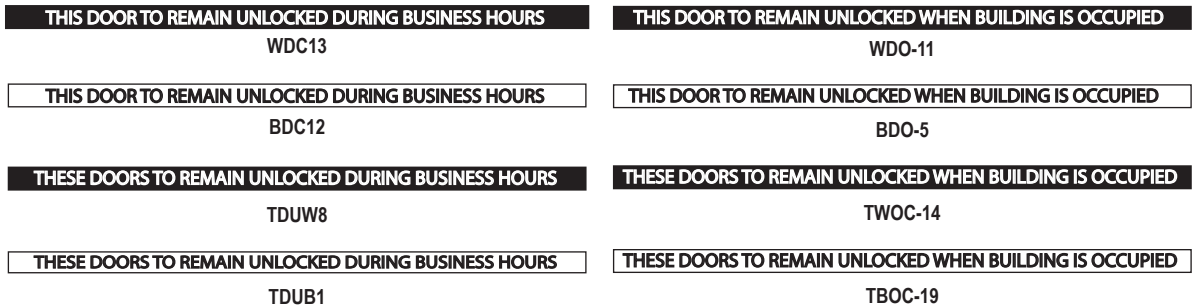
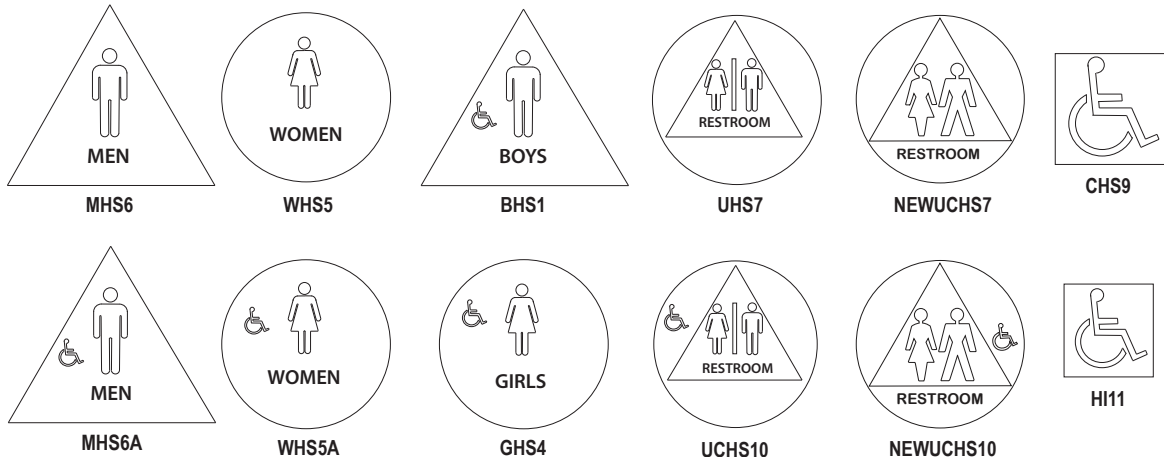
HANDICAP RESTROOM SIGNS (ADA) With BRAILLE

ITEM NO	DESCRIPTION	FINISH	INNER QTY	MASTER QTY	LIST PRICE EACH
WHS5	Women sign raised & Braille, 12" circle	Blue	10	50	\$ 35.10
GHS4	Girls sign raised & Braille, 12" circle				
MHS6	Men sign raised & Braille, 10 1/2" high triangle				
BHS1	Boys sign raised & Braille, 10 1/2" high triangle	Blue or Black	10	50	42.90
WHS5A	Women sign raised & Braille & handicap logo, 12" circle				
MHS6A	Men sign raised & Braille & handicap logo, 10 1/2" high triangle				
UHS7	Unisex raised & Braille, 12" circle				
UCHS10	Unisex raised & Braille & handicap logo, 12" circle				
NEWUCHS7	Unisex raised & Braille, 12" circle				
NEWUCHS10	Unisex raised & Braille & handicap logo, 12" circle				

DECALS AND STICKERS

ITEM NO	DESCRIPTION	INNER QTY	LIST PRICE EACH
CHS9	Blue square plastic sign & handicap logo (8" x 8")		\$ 21.40
HI11	Blue insignia handicap logo (4" x 4")		
WDC13	This door to remain unlocked during business hours, white on black		
BDC12	This door to remain unlocked during business hours, black on clear		
TDUW8	These doors to remain unlocked during business hours, white on black	10	4.40
TDUB1	These doors to remain unlocked during business hours, black on clear		
BDO-5	This door to remain unlocked when building is occupied, black on clear		
WDO-11	This door to remain unlocked when building is occupied, white on black		
TWOC-14	These doors to remain unlocked when building is occupied, white on black		
TBOC-19	These doors to remain unlocked when building is occupied, black on clear		

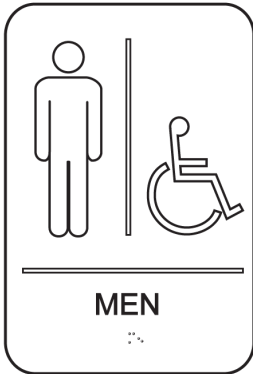
Prefix "BL" for Black When Ordering ♦ 20% Charge on Broken Boxes



CALIFORNIA-APPROVED RESTROOM SIGNS With BRAILLE

ITEM NO	DESCRIPTION	FINISH	INNER QTY	MASTER QTY	LIST PRICE EACH
CAMH69	Men handicap, with Braille, pictogram, text, 6" x 9"				
CAWH69	Women handicap, with Braille, pictogram, text, 6" x 9"				
CARSH69	Unisex Restroom handicap, with Braille, pictogram, text, 6" x 9"	Blue			\$ 22.90
CACCS69	Handicap Accessible, with Braille, pictogram, text, 6" x 9"		10	100	
CAEXT69	Exit, with Braille, text 6" x 9"				
CAM1348*	Men, with Braille, text 1 3/4" x 8"	Blue, Black			
CAW1348	Women, with Braille, text 1 3/4" x 8"				
CARS1348	Restroom, with Braille, text 1 3/4" x 8"	Blue			13.60

*Prefix "BL" for Black When Ordering



CAMH69



CAWH69



CARSH69



CAEXT69



CACCS69



CAM1348



CAW1348



CARS1348

SDH SERIES - STAINLESS STEEL SLIDING DOOR HARDWARE

SET INCLUDES: 1 SLIDING ROD, 2 ROLLERS, 1 FLOOR GUIDE, COMPLETE MOUNTING SCREWS

OPTIONAL STOPS: DS-2200, DS-2300; OPTIONAL SOFT CLOSE SYSTEM (PREFIX SCS)



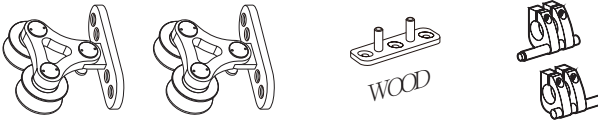
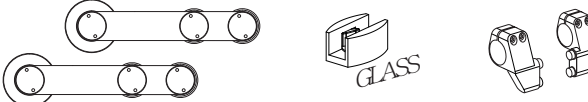
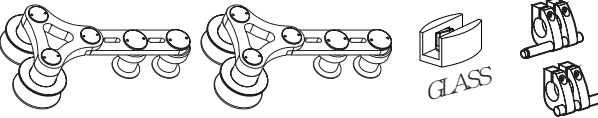

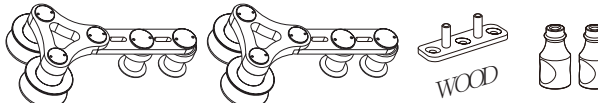
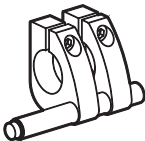
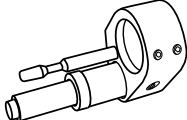
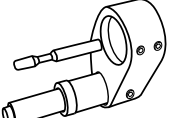
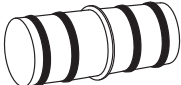
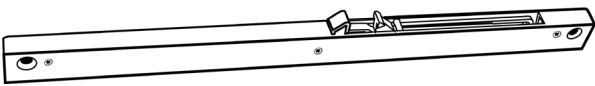
ILLUSTRATION	ITEM NO	DESCRIPTION	FINISH	LIST PRICE EACH	
FOR WOOD DOORS					
	SDH1066 A C	Top Mount Single Wheel 6' 6"		\$536.00	
	SDH1366 A B C	Top Mount with Soft Stop Single Wheel 6' 6"		672.00	
	SCS801666 A E	Top Mount with Soft Close System Single Wheel 6' 6" (SCS80 STANDARD) Optional SCS401666	US32D	646.00	
	SDH1082 A D	Top Mount Single Wheel 8' 2"		596.00	
	SDH1382 A B D	Top Mount with Soft Stop Single Wheel 8' 2"		732.00	
	SCS801682 A F	Top Mount with Soft Close System Single Wheel 8' 2" (SCS80 STANDARD) Optional SCS401682		706.00	
		SDH1166 A C	Top Mount Spoke Wheel 6' 6"		672.00
		SDH1466 A B C	Top Mount with Soft Stop Spoke Wheel 6' 6"		808.00
		SCS801766 A E	Top Mount with Soft Close System Spoke Wheel 6' 6" (SCS80 STANDARD) Optional SCS401766	US32D	782.00
		SDH1182 A D	Top Mount Spoke Wheel 8' 2"		736.00
SDH1482 A B D		Top Mount with Soft Stop Spoke Wheel 8' 2"		872.00	
SCS801782 A F		Top Mount with Soft Close System Spoke Wheel 8' 2" (SCS80 STANDARD) Optional SCS401782		846.00	
		SDH1266 A C	Top Mount Dual Wheel 6' 6"		732.00
		SDH1566 A G C	Top Mount with Soft Stop Dual Wheel 6' 6"		868.00
		SCS801866 A E	Top Mount with Soft Close System Dual Wheel 6' 6" (SCS80 STANDARD) Optional SCS401866	US32D	842.00
		SDH1282 A D	Top Mount Dual Wheel 8' 2"		796.00
	SDH1582 A G D	Top Mount with Soft Stop Dual Wheel 8' 2"		932.00	
	SCS801882 A F	Top Mount with Soft Close System Dual Wheel 8' 2" (SCS80 STANDARD) Optional SCS401882		906.00	

SDH SERIES - STAINLESS STEEL SLIDING DOOR HARDWARE

SET INCLUDES: 1 SLIDING ROD, 2 ROLLERS, 2 STOPPERS, 1 FLOOR GUIDE AND COMPLETE MOUNTING SCREWS

ILLUSTRATION	ITEM NO	DESCRIPTION	FINISH	LIST PRICE EACH		
FOR WOOD AND GLASS DOORS						
 <p>2 X DS-2200 SOFT STOP for SDH2366, SDH2382</p> <p>2 X DS-2300 SOFT STOP for SDH3366, SDH3382</p>	SDH2066	Surface Mount Strap Wheel 6" 6"		\$664.00		
	A C	SDH2366	Surface Mount with Soft Stop Strap Wheel 6" 6"		800.00	
	A B C	SCS802566	Surface Mount with Soft Close System Strap Wheel 6" 6" (SCS80 STANDARD) Optional SCS402566	US32D	774.00	
	A E	SDH2082	Surface Mount Strap Wheel 8" 2"		728.00	
	A D	SDH2382	Surface Mount Soft Stop Strap Wheel 8" 2"		864.00	
	A B D	SCS802582	Surface Mount Soft Close System Strap Wheel 8" 2" (SCS80 STANDARD) Optional SCS402582		838.00	
	A F	SDH3066	Surface Mount Strap Wheel 6" 6"		664.00	
	A C	SDH3366	Surface Mount Soft Stop Strap Wheel 6" 6"		800.00	
	A G C	SCS803566	Surface Mount Soft Close System Strap Wheel 6" 6" (SCS80 STANDARD) Optional SCS403566	US32D	774.00	
	A E	SDH3082	Surface Mount Strap Wheel 8" 2"		728.00	
A D	SDH3382	Surface Mount Soft Stop Strap Wheel 8" 2"		864.00		
A G D	SCS803582	Surface Mount Soft Close System Strap Wheel 8" 2" (SCS80 STANDARD) Optional SCS403582		838.00		
A F						
 <p>6" 6" RAIL</p> <p>8" 2" RAIL</p> <p>6" 6" RAIL WITH SOFT CLOSING MECHANISM</p> <p>8" 2" RAIL WITH SOFT CLOSING MECHANISM</p>						
	 <p>2 X DS-2200 SOFT STOP for SDH2466, SDH2482</p> <p>2 X DS-2300 SOFT STOP for SDH3466, SDH3482</p>	SDH2166	Surface Mount Dual Wheel 6" 6"		806.00	
		A C	SDH2466	Surface Mount Soft Stop Dual Wheel 6" 6"		942.00
		A B C	SCS802666	Surface Mount Soft Close System Dual Wheel 6" 6" (SCS80 STANDARD) Optional SCS402666	US32D	916.00
		A E	SDH2182	Surface Mount Dual Wheel 8" 2"		870.00
		A D	SDH2482	Surface Mount Soft Stop Dual Wheel 8" 2"		1006.00
		A B D	SCS802682	Surface Mount Soft Close System Dual Wheel 8" 2" (SCS80 STANDARD) Optional SCS402682		980.00
		A F	SDH3166	Surface Mount Dual Wheel 6" 6"		806.00
		A C	SDH3466	Surface Mount Soft Stop Dual Wheel 6" 6"		942.00
		A G C	SCS803666	Surface Mount Soft Close System Dual Wheel 6" 6" (SCS80 STANDARD) Optional SCS403666	US32D	916.00
A E		SDH3182	Surface Mount Dual Wheel 8" 2"		870.00	
A D	SDH3482	Surface Mount Soft Stop Dual Wheel 8" 2"		1006.00		
A G D	SCS803682	Surface Mount Soft Close System Dual Wheel 8" 2" (SCS80 STANDARD) Optional SCS403682		980.00		
A F						

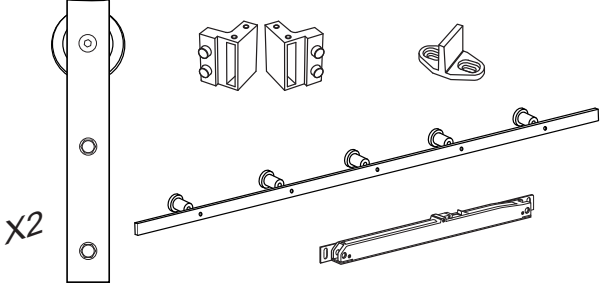
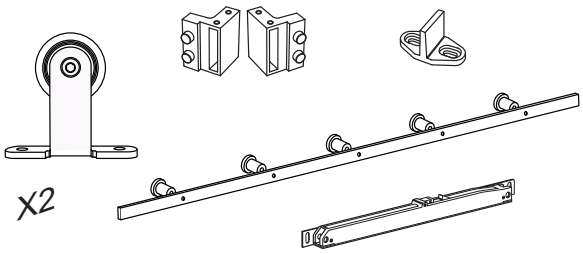
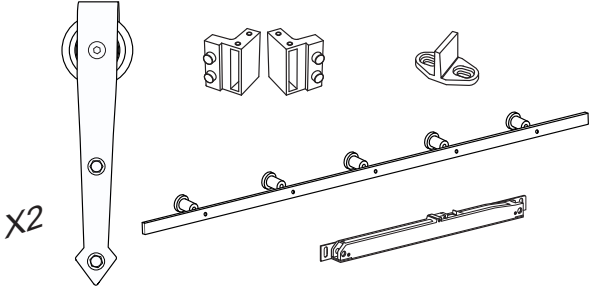
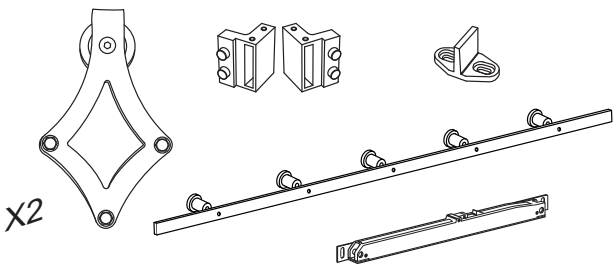
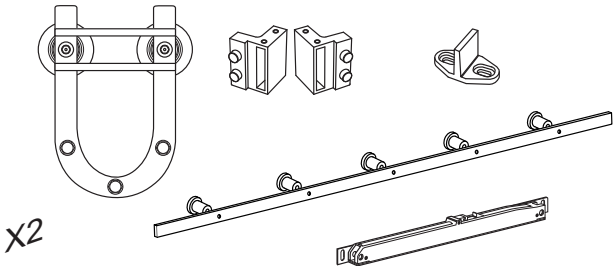
SDH SERIES - STAINLESS STEEL SLIDING DOOR HARDWARE
ADDITIONAL ROLLERS LESS RAIL (SET INCLUDES: 2 ROLLERS, 2 STOPPERS, 1 FLOOR GUIDE)

ILLUSTRATION	ITEM NO	DESCRIPTION	FINISH	LIST PRICE EACH
	SDH10LR	Roller Set Less Rail Top Mount Single Wheel for Wood Doors	US32D	\$332.00
	SDH11LR	Roller Set Less Rail Top Mount Spoke Wheel for Wood Doors	US32D	314.00
	SDH12LR	Roller Set Less Rail Top Mount Dual Wheel for Wood Doors	US32D	376.00
	SDH20LR	Roller Set Less Rail Surface Mount Strap Wheel for Glass Doors	US32D	420.00
	SDH30LR	Roller Set Less Rail Surface Mount Strap Wheel for Glass Doors	US32D	382.00
	SDH21LR	Roller Set Less Rail Surface Mount Dual Wheel for Wood Doors	US32D	452.00
	SDH31LR	Roller Set Less Rail Surface Mount Dual Wheel for Wood Doors	US32D	550.00
	DS-2100	Roller Stop for SDH12 and SDH30	US32D	72.80 sold per pair
	DS-2200	Soft Action Roller Stop for SDH10, SDH11, SDH20 and SDH21	US32D	86.70 sold per pair
	DS-2300	Soft Action Roller Stop for SDH12, SDH30 and SDH31	US32D	86.70 sold per pair
	SDHRC	Rail Connector for Interconnecting 2 Rails Together	US32D	24.00
	SCS40 (44 - 88 LBS)	Soft Close System for replacement only. Choose type by weight of door.		50.00
	SCS80 (88 -176 LBS)	Sold Individually.		

BDH SERIES - BLACK BARN DOOR HARDWARE FOR WOOD DOORS

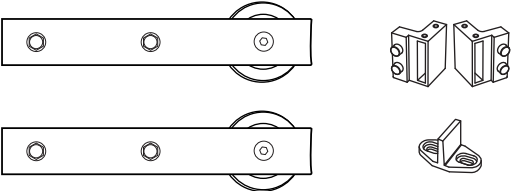
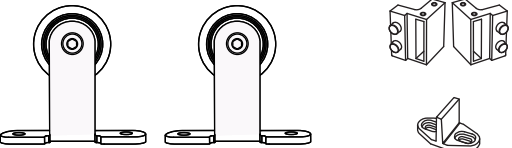
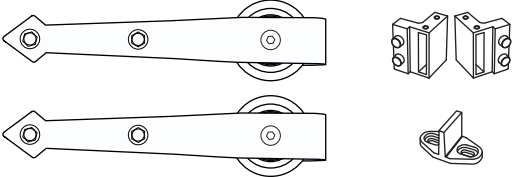
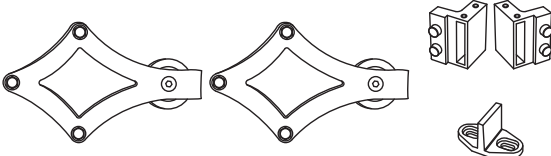
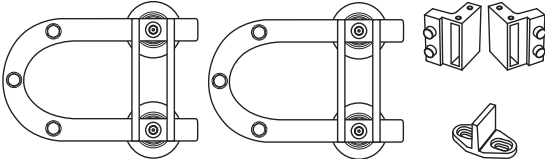
SET INCLUDES: 1 SLIDING TRACK, 2 ROLLERS, 2 STOPPERS, 1 FLOOR GUIDE & COMPLETE MOUNTING SCREWS

OPTIONAL SOFT CLOSE SYSTEM: (prefix SCS)

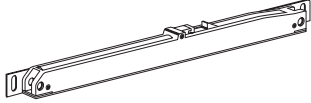

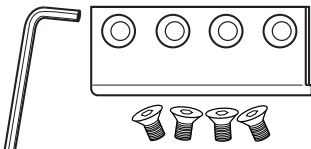
ILLUSTRATION	ITEM NO	DESCRIPTION	FINISH	LIST PRICE EACH
 <p>X2</p>	BDH3066	Surface Mount Strap Wheel 6' 6"	Powder Coated	\$392.00
	BDH3080	Surface Mount Strap Wheel 8' 0"	Matte Black	418.00
	SCSBDH3066	Surface Mount Strap Wheel 6' 6" with Soft Close System	Powder Coated	448.00
	SCSBDH3080	Surface Mount Strap Wheel 8' 0" with Soft Close System	Matte Black	472.00
 <p>X2</p>	BDH3166	Top Mount Single Wheel 6' 6"	Powder Coated	392.00
	BDH3180	Top Mount Single Wheel 8' 0"	Matte Black	418.00
	SCSBDH3166	Top Mount Single Wheel 6' 6" with Soft Close System	Powder Coated	448.00
	SCSBDH3180	Top Mount Single Wheel 8' 0" with Soft Close System	Matte Black	472.00
 <p>X2</p>	BDH3266	Surface Mount Arrowhead 6' 6"	Powder Coated	392.00
	BDH3280	Surface Mount Arrowhead 8' 0"	Matte Black	418.00
	SCSBDH3266	Surface Mount Arrowhead 6' 6" with Soft Close System	Powder Coated	448.00
	SCSBDH3280	Surface Mount Arrowhead 8' 0" with Soft Close System	Matte Black	472.00
 <p>X2</p>	BDH3366	Surface Mount Diamond 6' 6"	Powder Coated	446.00
	BDH3380	Surface Mount Diamond 8' 0"	Matte Black	472.00
	SCSBDH3366	Surface Mount Diamond 6' 6" with Soft Close System	Powder Coated	500.00
	SCSBDH3380	Surface Mount Diamond 8' 0" with Soft Close System	Matte Black	526.00
 <p>X2</p>	BDH3466	Surface Mount Horseshoe 6' 6"	Powder Coated	464.00
	BDH3480	Surface Mount Horseshoe 8' 0"	Matte Black	488.00
	SCSBDH3466	Surface Mount Horseshoe 6' 6" with Soft Close System	Powder Coated	518.00
	SCSBDH3480	Surface Mount Horseshoe 8' 0" with Soft Close System	Matte Black	544.00

BDH SERIES - BLACK BARN DOOR HARDWARE FOR WOOD DOORS

SET INCLUDES: 2 ROLLERS, 2 STOPPERS, 2 ANTI-JUMP DISCS, 1 FLOOR GUIDE & COMPLETE MOUNTING SCREWS

ILLUSTRATION	ITEM NO	DESCRIPTION	FINISH	LIST PRICE EACH
	BDH30LT	Surface Mount Strap Wheel Less Track	Powder Coated Matte Black	\$220.00
	BDH31LT	Top Mount Single Wheel Less Track	Powder Coated Matte Black	220.00
	BDH32LT	Surface Mount Arrowhead Less Track	Powder Coated Matte Black	220.00
	BDH33LT	Surface Mount Diamond Less Track	Powder Coated Matte Black	250.00
	BDH34LT	Surface Mount Horseshoe Less Track	Powder Coated Matte Black	260.00

ACCESSORIES

	SCSBDH	Soft Close System for replacement only Sold Individually	Black	36.00
	BDPUL6000	Flat Type, Barn Door Pull Handle 9 1/2" x 1 1/4" x 2"	Powder Coated Matte Black	13.00
	BDHCP	Barn Door Connector Plate	Powder Coated Matte Black	22.30